

ORION
Steel Valves



ORION STEEL VALVES
Special Features

**SPECIAL FEATURES - P. 197**

By pass and drain connection standard
Special Features

DIMENSIONS - p. 200

Flange dimensions and ring joint face • Facing dimensions for all
ASME B16.5 - 2009 • Butt - welding ends

FLOW COEFFICIENTS - p. 210

Flow formulation using Cv coefficients • Flow Coefficient

MATERIALS - p. 215

Material specifications • Bolting • O-Ring Materials • Trim

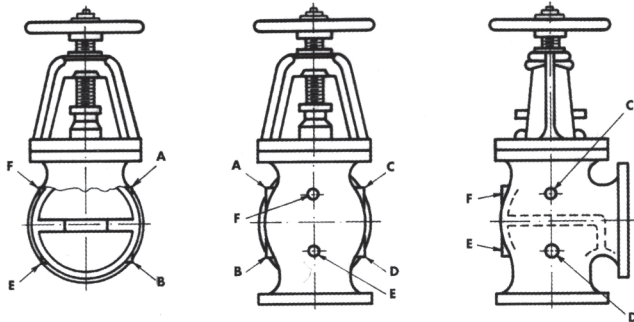
RATINGS - p. 220

Pressure temperature ratings

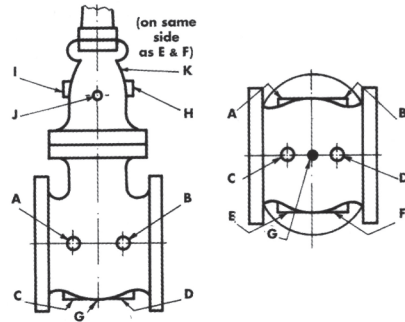
ORION STEEL VALVES Special Features

BY PASS AND DRAIN CONNECTION STANDARD

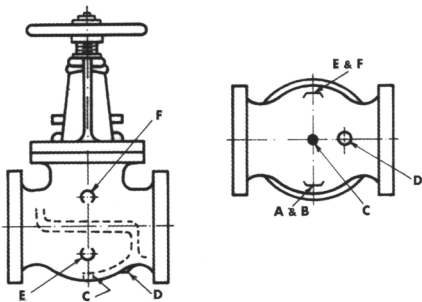
ANGLE VALVE



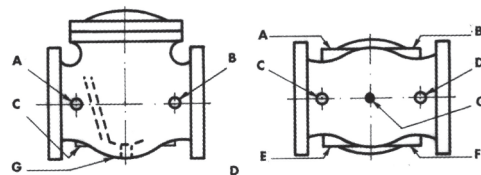
GATE VALVE



GLOBE VALVE



CHECK VALVE



These illustration show the location of tapped holes.

When placing an order please quote the letters in the above illustrations designating the location of the tapped holes.

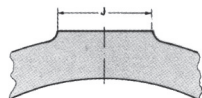
For more information see MSS-SP-45.

DRAIN AND BY PASS DIMENSION



Thread for Connection Tapping

Socket Welding for Connections

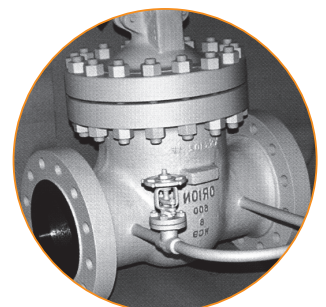


Bosses for Connections

SIZE OF VALVE	2" to 4"	5" to 8"	10" to 24"
Size of Trapping	1/2"	3/4"	1"
Length of Thread	T	14	18
Min. Diam. of Socket	A	27	34
Min. Depth of Socket	B	6,5	6,5
Diameter of Boss	I	44	54

ORION valves can be equipped with by-passes which allow equalization of pressure on both sides of the valve. Unless otherwise specified "Built-up" by-passes will be supplied on the side of the main valve.

By-passes of other types can be made according to client request. Enquires should give complete description or drawings. By-pass valves are bolted bonnet, outside screw and yoke, socket-weld and globe valves, and materials are suitable for the same service as the main valve.



ORION STEEL VALVES Special Features

Fig. 12
Lift Indicator

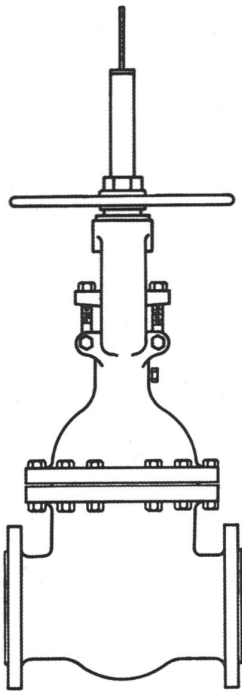


Fig. 3
Limit Micro Switches

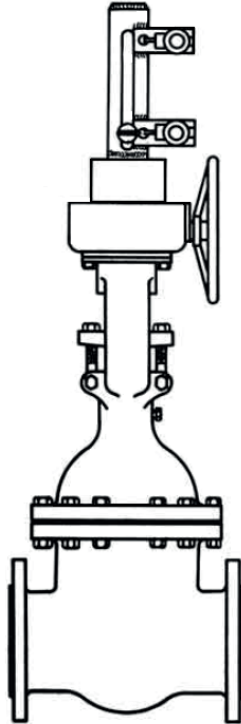


Fig. 23
Pneumatic Operator

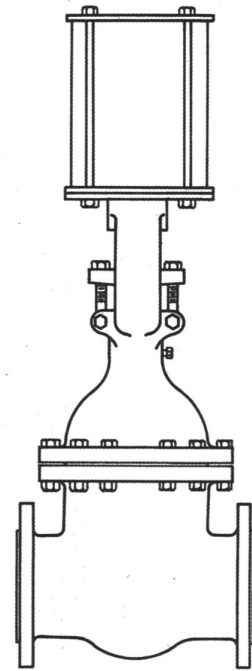


Fig. 8
Bevel Gearing

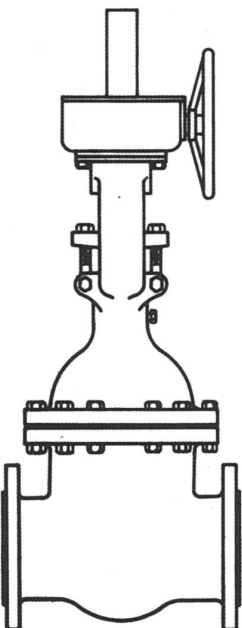


Fig. 9
Bevel Gearing with Horizontal Handwheel

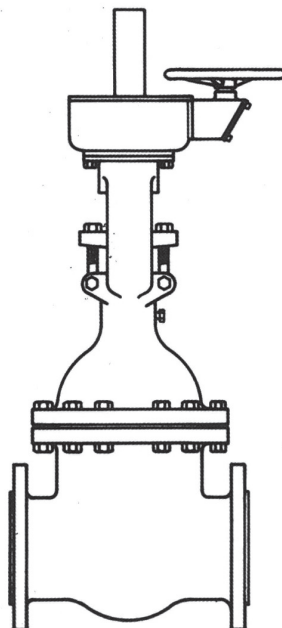
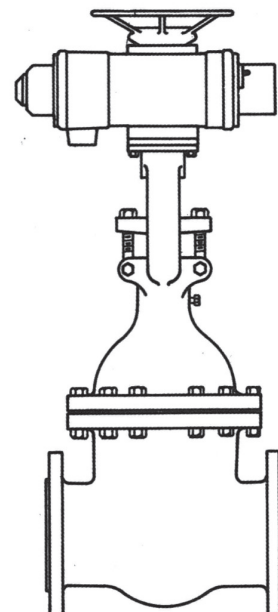


Fig. 16
Electric Actuator



ORION STEEL VALVES Special Features

Fig. 2
Extension Stern

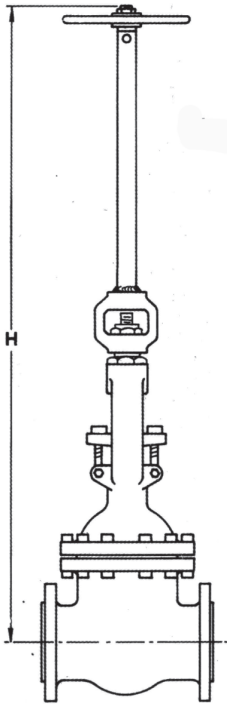


Fig. 34
Floor Stand

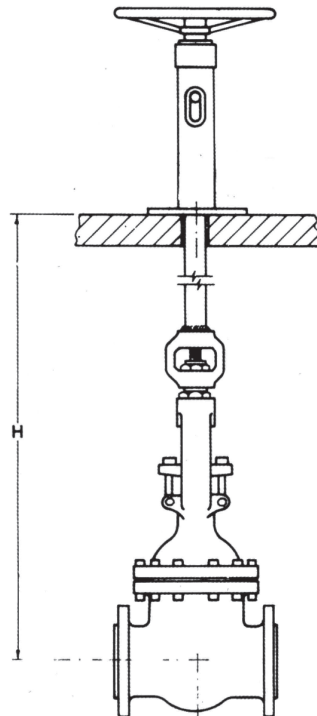


Fig. 41
Floor Stand with Universal Joint

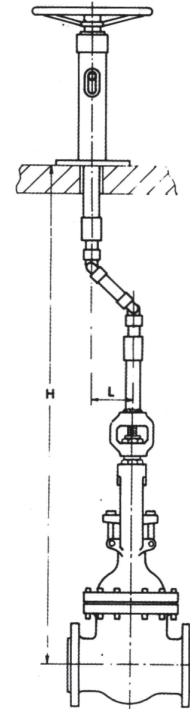


Fig. 33
Chain Wheel

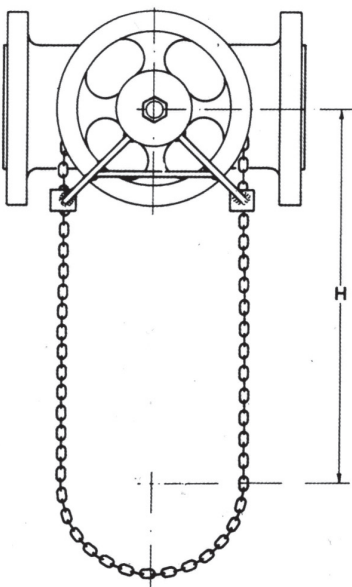


Fig. 30
Check Valve with Dash-Pot

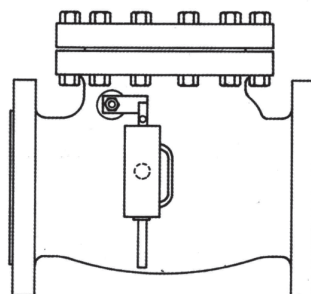
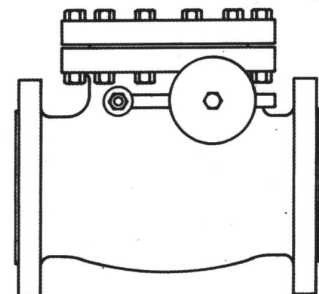


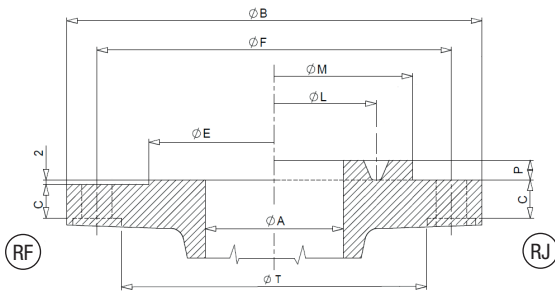
Fig. 31
Check Valve with Outside lever and Weight



Dimensions H and L to be indicated by the customer.

ORION STEEL VALVES Dimensions

FLANGE DIMENSION AND RING JOINT FACING



FLANGE DIMENSION AND RING JOINT FACING

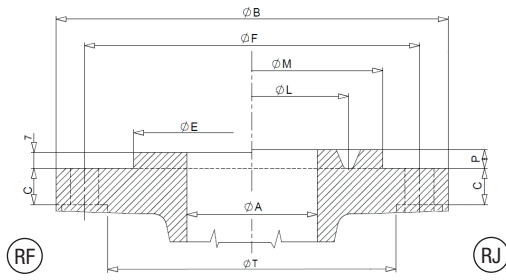
ASME B16.5 FROM 1-1/2", MSS SP-44 AND B16.47 SERIES "A" FOR 22" AND FOR 26" AND OVER

DN	Bore ⁽¹⁾	Outside Diameter	Thickness of Flange (Min)	Raised Face Diameter	Diameter of Bolt Circle	Number of Bolt Holes	Diameter of Bolts	Pitch Diameter of Groove	Raised Portion Diameter	Depth of Groove	N°Rj
CLASS 150	A	B	C ⁽³⁾	E	F			L	M	P	
1/2"	12,7	90	8,0	34,9	60,3	4	1/2"	/	/	/	/
3/4"	19,1	100	8,9	42,9	69,9	4	1/2"	/	/	/	/
1"	25,4	110	9,6	50,8	79,4	4	1/2"	47,63	63,5	6,35	R15
1.1/4"	31,8	115	11,2	63,5	88,9	4	1/2"	57,15	73,0	6,35	R17
1.1/2"	38,1	125	12,7	73,0	98,4	4	1/2"	65,07	82,5	6,35	R19
2"	50,8	150	14,3	92,1	120,7	4	5/8"	82,55	102,0	6,35	R22
2.1/2"	63,5	180	15,9	104,8	139,7	4	5/8"	101,60	121,0	6,35	R25
3"	76,2	190	17,5	127,0	152,4	4	5/8"	114,30	133,0	6,35	R29
3.1/2"	88,9	215	19,1	139,7	177,8	8	5/8"	131,78	154,0	6,35	R33
4"	101,6	230	22,3	157,2	190,5	8	5/8"	149,23	171,0	6,35	R36
5"	127,0	255	22,3	185,7	215,9	8	3/4"	171,45	194,0	6,35	R40
6"	152,4	280	23,9	215,9	241,3	8	3/4"	193,68	219,0	6,35	R43
8"	203,2	345	27,0	269,9	298,5	8	3/4"	247,65	273,0	6,35	R48
10"	254,0	405	28,6	323,8	362,0	12	7/8"	304,80	330,0	6,35	R52
12"	304,8	485	30,2	381,0	431,8	12	7/8"	381,00	406,0	6,35	R56
14"	336,6	535	33,4	412,8	476,3	12	1"	396,88	425,0	6,35	R59
16"	387,4	595	35,0	469,9	539,8	16	1"	454,03	483,0	6,35	R64
18"	438,2	635	38,1	533,4	577,9	16	1.1/8"	517,53	546,0	6,35	R68
20"	489,0	700	41,3	584,2	635,0	20	1.1/8"	558,80	597,0	6,35	R72
22" ⁽²⁾	539,8	750	44,5	641,4	692,2	20	1.1/4"	/	/	/	/
24"	590,6	815	46,1	692,2	749,3	20	1.1/4"	673,10	711,0	6,35	R76
CLASS 300	A	B	C	E	F			L	M	P	
1/2"	12,7	95	12,7	34,9	66,7	4	1/2"	34,14	51	5,54	R11
3/4"	19,1	115	14,3	42,9	82,6	4	5/8"	42,88	63,5	6,35	R13
1"	25,4	125	15,9	50,8	88,9	4	5/8"	50,80	70	6,35	R16
1.1/4"	31,8	135	17,5	63,5	98,4	4	5/8"	60,33	79,5	6,35	R18
1.1/2"	38,1	155	19,1	73,0	114,3	4	3/4"	68,27	90,5	6,35	R20
2"	50,8	165	20,7	92,1	127,0	8	5/8"	82,55	108	7,92	R23
2.1/2"	63,5	190	23,9	104,8	149,2	8	3/4"	101,60	127	7,92	R26
3"	76,2	210	27,0	127,0	168,3	8	3/4"	123,83	146	7,92	R31
3.1/2"	88,9	230	28,6	139,7	184,2	8	3/4"	131,78	159	7,92	R34
4"	101,6	255	30,2	157,2	200,0	8	3/4"	149,23	175	7,92	R37
5"	127,0	280	33,4	185,7	235,0	8	3/4"	180,98	210	7,92	R41
6"	152,4	320	35,0	215,9	269,9	12	3/4"	211,12	241	7,92	R45
8"	203,2	380	39,7	269,9	330,2	12	7/8"	269,88	302	7,92	R49
10"	254,0	445	46,1	323,8	387,4	16	1"	323,85	356	7,92	R53
12"	304,8	520	49,3	381,0	450,8	16	1.1/8"	381,00	413	7,92	R57
14"	336,6	585	52,4	412,8	514,4	20	1.1/8"	419,10	457	7,92	R61
16"	387,4	650	55,6	469,9	571,5	20	1.1/4"	469,90	508	7,92	R65
18"	431,8	710	58,8	533,4	628,6	24	1.1/4"	533,40	575	7,92	R69
20"	482,6	775	62,0	584,2	685,8	24	1.1/4"	584,20	635	9,53	R73
22" ⁽²⁾	533,4	840	65,1	641,5	743,0	24	1.1/2"	635,00	686	11,13	R81
24"	584,2	915	68,3	692,2	812,8	24	1.1/2"	692,15	749	11,13	R77

N.B. All dimensions are given in millimeters • ⁽¹⁾ Bore Diameter as for ASME B16.34 • ⁽²⁾ As for MSS-SP-44
⁽³⁾ THICKNESSES ARE CORRESPONDING TO FITTINGS' VALUES (TAB.9 OF ASME B16.5) AS SPECIFIED BY ASME B 16.34 2009-6.22

ORION STEEL VALVES Dimensions

FLANGE DIMENSION AND RING JOINT FACING



FLANGE DIMENSION AND RING JOINT FACING

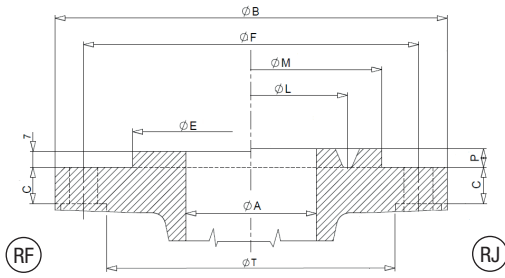
ASME B16.5 FROM 1-1/2", MSS SP-44 AND B16.47 SERIES "A" FOR 22" AND FOR 26" AND OVER

DN	Bore ⁽¹⁾	Outside Diameter	Thickness of Flange (Min)	Raised Face Diameter	Diameter of Bolt Circle	Number of Bolt Holes	Diameter of Bolts	Pitch Diameter of Groove	Raised Portion Diameter	Depth of Groove	N°Rj
CLASS 600	A	B	C	E	F			L	M	P	
1/2"	12,7	95	14,3	34,9	66,7	4	1/2"	34,14	51	5,54	R11
3/4"	19,1	115	15,9	42,9	82,6	4	5/8"	42,88	63,5	6,35	R13
1"	25,4	125	17,5	50,8	88,9	4	5/8"	50,80	70	6,35	R16
1.1/4"	31,8	135	20,7	63,5	98,4	4	5/8"	60,33	79,5	6,35	R18
1.1/2"	38,1	155	22,3	73,0	114,3	4	3/4"	68,27	90,5	6,35	R20
2"	50,8	165	25,4	92,1	127,0	8	5/8"	82,55	108	7,92	R23
2.1/2"	63,5	190	28,6	104,8	149,2	8	3/4"	101,60	127	7,92	R26
3"	76,2	210	31,8	127,0	168,3	8	3/4"	123,83	146	7,92	R31
3.1/2"	88,9	230	35,0	139,7	184,2	8	7/8"	131,78	159	7,92	R34
4"	101,6	275	38,1	157,2	215,9	8	7/8"	149,23	175	7,92	R37
5"	127,0	330	44,5	185,7	266,7	8	1"	180,98	210	7,92	R41
6"	152,4	355	47,7	215,9	292,1	12	1"	211,12	241	7,92	R45
8"	199,9	420	55,6	269,9	349,2	12	1.1/8"	269,88	302	7,92	R49
10"	247,7	510	63,5	323,8	431,8	16	1.1/4"	323,85	356	7,92	R53
12"	298,5	560	66,7	381,0	489,0	20	1.1/4"	381,00	413	7,92	R57
14"	326,9	605	69,9	412,8	527,0	20	1.3/8"	419,10	457	7,92	R61
16"	374,7	685	76,2	469,9	603,2	20	1.1/2"	469,90	508	7,92	R65
18"	419,1	745	82,6	533,4	654,0	20	1.5/8"	533,40	575	7,92	R69
20"	463,6	815	88,9	584,2	723,9	24	1.5/8"	584,20	635	9,53	R73
22" ⁽²⁾	511,0	870	95,3	641,4	777,8	24	1.3/4"	635,00	686	11,13	R81
24"	558,8	940	101,6	692,2	838,2	24	1.7/8"	692,15	749	11,13	R77
CLASS 900	A	B	C	E	F			L	M	P	
1/2"	12,7	120	22,3	34,9	82,6	4	3/4"	39,67	60,5	6,35	R12
3/4"	17,5	130	25,4	42,9	88,9	4	3/4"	44,45	66,5	6,35	R14
1"	22,1	150	28,6	50,8	101,6	4	7/8"	50,80	71,5	6,35	R16
1.1/4"	28,4	160	28,6	63,5	111,1	4	7/8"	60,33	81,0	6,35	R18
1.1/2"	34,8	180	31,8	73,0	123,8	4	1"	68,27	92,0	6,35	R20
2"	47,5	215	38,1	92,1	165,1	8	7/8"	95,25	124	7,92	R24
2.1/2"	57,2	245	41,3	104,8	190,5	8	1"	107,95	137	7,92	R27
3"	72,9	240	38,1	127,0	190,5	8	7/8"	123,83	156	7,92	R31
4"	98,3	290	44,5	157,2	235,0	8	1.1/8"	149,23	181	7,92	R37
5"	120,7	350	50,8	185,7	279,4	8	1.1/4"	180,98	216	7,92	R41
6"	146,1	380	55,6	215,9	317,5	12	1.1/8"	211,12	241	7,92	R45
8"	190,5	470	63,5	269,9	393,7	12	1.3/8"	269,88	308	7,92	R49
10"	238,0	545	69,9	323,8	469,9	16	1.3/8"	323,85	362	7,92	R53
12"	282,4	610	79,4	381,0	533,4	20	1.3/8"	381,00	419	7,92	R57
14"	311,2	640	85,8	412,8	558,8	20	1.1/2"	419,10	467	11,13	R62
16"	355,6	705	88,9	469,9	616,0	20	1.5/8"	469,90	524	11,13	R66
18"	400,1	785	101,6	533,4	685,8	20	1.7/8"	533,40	594	12,7	R70
20"	444,5	855	108,0	584,2	749,3	20	2"	584,20	648	12,7	R74
24"	533,4	1040	139,7	692,2	901,7	20	2.1/2"	692,15	772	15,88	R78

N.B. All dimensions are given in millimeters • ⁽¹⁾ Bore Diameter as for ASME B16.34 • ⁽²⁾ As for MSS-SP-44

ORION STEEL VALVES Dimensions

FLANGE DIMENSION AND RING JOINT FACING



FLANGE DIMENSION AND RING JOINT FACING

ASME B16.5 FROM 1-1/2", MSS SP-44 AND B16.47 SERIES "A" FOR 22" AND FOR 26" AND OVER

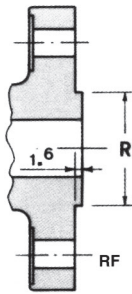
DN	Bore ⁽¹⁾	Outside Diameter	Thickness of Flange (Min)	Raised Face Diameter	Diameter of Bolt Circle	Number of Bolt Holes	Diameter of Bolts	Pitch Diameter of Groove	Raised Portion Diameter	Depth of Groove	N°Rj
CLASS 1500	A	B	C	E	F			L	M	P	
1/2"	12,7	120	22,3	34,9	82,6	4	3/4"	39,67	60,5	6,35	R12
3/4"	17,5	130	25,4	42,9	88,9	4	3/4"	44,45	66,5	6,35	R14
1"	22,1	150	28,6	50,8	101,6	4	7/8"	50,80	71,5	6,35	R16
1.1/4"	28,4	160	28,6	63,5	111,1	4	7/8"	60,33	81,0	6,35	R18
1.1/2"	34,8	180	31,8	73,0	123,8	4	1"	68,27	92,0	6,35	R20
2"	47,5	215	38,1	92,1	165,1	8	7/8"	95,25	124	7,92	R24
2.1/2"	57,2	245	41,3	104,8	190,5	8	1"	107,95	137	7,92	R27
3"	69,9	265	47,7	127,0	203,2	8	1.1/8"	136,53	168	7,92	R35
4"	91,9	310	54,0	157,2	241,3	8	1.1/4"	161,93	194	7,92	R39
5"	111,0	375	73,1	185,7	292,1	8	1.1/2"	193,68	229	7,92	R44
6"	136,4	395	82,6	215,9	317,5	12	1.3/8"	211,14	248	9,53	R46
8"	177,8	485	92,1	269,9	393,7	12	1.5/8"	269,88	318	11,13	R50
10"	222,3	585	108,0	323,8	482,6	12	1.7/8"	323,85	371	11,13	R54
12"	263,4	675	123,9	381,0	571,5	16	2"	381,00	438	14,27	R58
14"	288,8	750	133,4	412,8	635,0	16	2.1/4"	419,10	489	15,88	R63
16"	330,2	825	146,1	469,9	704,8	16	2.1/2"	469,90	546	17,48	R67
18"	371,3	915	162,0	533,4	774,7	16	2.3/4"	533,40	613	17,48	R71
20"	415,8	985	177,8	584,2	831,8	16	3"	584,20	673	17,48	R75
24"	498,3	1170	203,2	692,2	990,6	16	3.1/2"	692,15	794	20,62	R79
CLASS 2500	A	B	C	E	F			L	M	P	
1/2"	11,2	135	30,2	34,9	88,9	4	3/4"	42,88	65,0	6,35	R13
3/4"	14,2	140	31,8	42,9	95,2	4	3/4"	50,80	73,0	6,35	R16
1"	19,1	160	35,0	50,8	108,0	4	7/8"	60,33	82,5	6,35	R18
1.1/4"	25,4	185	38,1	63,5	130,2	4	1"	72,23	102	7,92	R21
1.1/2"	28,4	205	44,5	73,0	146,0	4	1.1/8"	82,55	114	7,92	R23
2"	38,1	235	50,9	92,1	171,4	8	1"	101,60	133	7,92	R26
2.1/2"	47,5	265	57,2	104,8	196,8	8	1.1/8"	111,13	149	9,53	R28
3"	57,2	305	66,7	127,0	228,6	8	1.1/4"	127,00	168	9,53	R32
4"	72,9	355	76,2	157,2	273,0	8	1.1/2"	157,18	203	11,13	R38
5"	91,9	420	92,1	185,7	323,8	8	1.3/4"	190,50	241	12,70	R42
6"	111,0	485	108,0	215,9	368,3	8	2"	228,60	279	12,70	R47
8"	146,1	550	127,0	269,9	438,2	12	2"	279,40	340	14,27	R51
10"	184,2	675	165,1	323,8	539,8	12	2.1/2"	342,90	425	17,48	R55
12"	218,9	760	184,2	381,0	619,1	12	2.3/4"	406,40	495	17,48	R60

N.B. All dimensions are given in millimeters • ⁽¹⁾Bore Diameter as for Asme B16.34

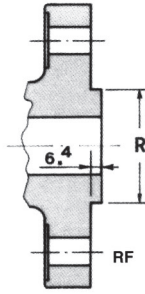
ORION STEEL VALVES Dimensions

FACING DIMENSION FOR ALL PRESSURE ASME B16.5 2009

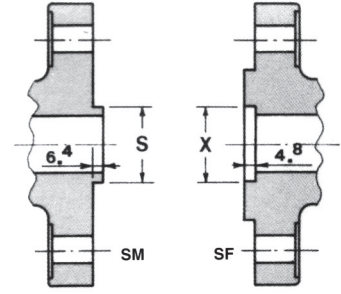
1/16" RAISED FACE



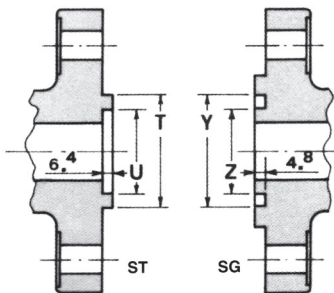
1/4" RAISED FACE



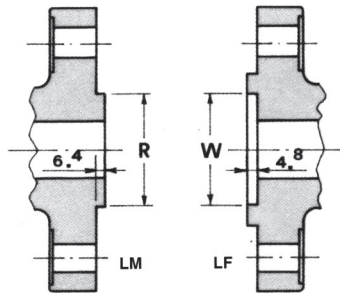
SMALL MALE - FEMALE



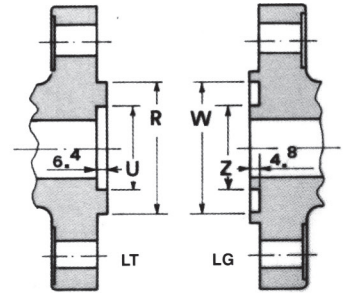
SMALL TONGUE - GROOVE



LARGE MALE - FEMALE



LARGE TONGUE - GROOVE



NOMINAL SIZE	OUTSIDE DIAMETERS						INSIDE DIAMETERS	
	Raised Face Large Male And Large Tongue	Small Male	Small Tongue	Large Female and Large Groove	Small Female	Small Groove	Large And Small Tongue	Large And Small Groove
	R	S	T	W	X	Y	U	Z
1 1/2"	73	44,5	63,5	74,7	46	65	54	52,3
2"	92,1	57,2	82,6	93,7	58,7	84,1	73	71,4
2 1/2"	104,8	68,3	95,3	106,4	69,9	96,8	85,9	84,1
3"	127	84,1	117,5	128,5	85,9	119,1	108	106,4
4"	157,2	109,5	144,5	158,8	111,3	146,1	131,8	130,2
5"	185,7	136,5	173	187,5	138,2	174,8	160,3	158,8
6"	215,9	162,9	203,2	217,4	163,6	204,7	190,5	188,9
8"	269,9	212,7	254	271,5	214,4	255,5	238,3	236,5
10"	323,8	266,7	304,8	325,4	268,2	306,3	285,8	284,2
12"	381	317,5	362	382,5	319	363,5	342,9	341,4
14"	412,8	349,3	393,7	414,3	350,8	395,2	374,7	373,1
16"	469,9	400,1	447,5	471,4	401,6	449,3	425,5	423,9
18"	533,4	450,9	511	534,9	452,4	512,8	489	487,4
20"	584,2	501,7	558,8	585,7	503,2	560,3	533,4	531,9
24"	692,2	603,3	666,8	693,7	604,8	668,3	641,4	639,8

N.B. All dimensions are given in millimeters

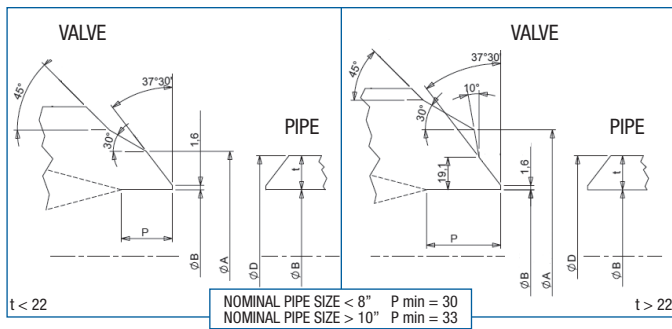
1) Large male and female facing and large tongue and groove facing are not applicable to 150 Class because of potential dimensional conflict

2) A tolerance of plus or minus 0.016 in. (1/64 in.) is allowed on the inside and outside diameters of all facings

3) Male faces are finished with 125-250 AARH. Female tongue and grooved faces are finished with 125-250 AARH

ORION STEEL VALVES Dimensions

BUTT - WELDING ENDS



BUTT - WELDING ENDS

STANDARD PREPARATION AND DIMENSIONS OF WELDING ENDS

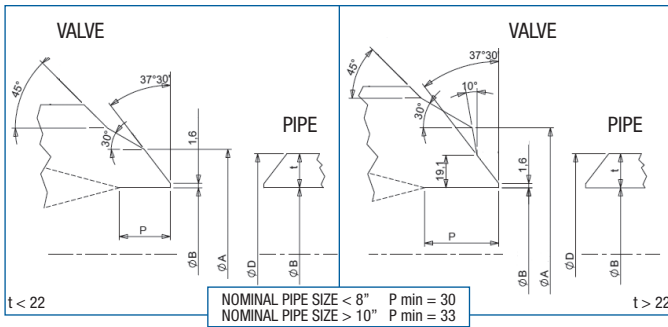
DESIGNATION PER ASME B16.5, ASME B16.25, ASME B36.10, ASME B36.19

Nominal Pipe Size	Valve A	Nominal Pipe D	Identification Schedule	Nominal ID		Wall Thickness Of Pipe	
				B	T		
1 1/2"	48,3	48,3	40 - 40S - STD	40,90	3,68		
			5S	45,00	1,65		
			10 - 10 S	42,80	2,77		
			80 - 80S - XS	38,10	5,08		
			160	34,00	7,14		
2"	60,3	60,3	40 - 40S - STD	52,50	3,91		
			5S	57,00	1,65		
			10 - 10 S	54,80	2,77		
			80 - 80S - XS	49,20	5,54		
			160	42,80	8,74		
2 1/2"	75	73	40 - 40S - STD	62,70	5,16		
			5S	68,80	2,11		
			10 - 10 S	66,90	3,05		
			80 - 80S - XS	59,00	7,01		
			160	54,00	9,53		
3"	91	88,9	40 - 40S - STD	82,20	3,05		
			5S	77,90	5,50		
			10 - 10 S	84,70	2,11		
			80 - 80S - XS	73,70	7,60		
			160	66,60	11,10		
3 1/2"	105	101,6	40 - 40S - STD	90,10	5,74		
			5S	97,40	2,11		
			10 - 10 S	95,50	3,05		
			80 - 80S - XS	85,40	8,08		
			160	77,90	11,10		
4"	117	114,3	40 - 40S - STD	102,3	6		
			5S	110,1	2,11		
			10 - 10 S	108,2	3,05		
			80 - 80S - XS	97,2	8,6		
			120	92	11,1		
5"	144	141,3	40 - 40S - STD	128,2	6,5		
			5S	135,8	2,77		
			10 - 10 S	134,5	3,4		
			80 - 80S - XS	122,2	9,5		
			160	115,9	12,7		
			XXS	109,5	15,9		
			XXS	103,2	19		

STD = Standard Wall Thickness • XS = Extra Strong Wall Thickness • XXS = Double Extra Strong Wall Thickness

ORION STEEL VALVES Dimensions

BUTT - WELDING ENDS



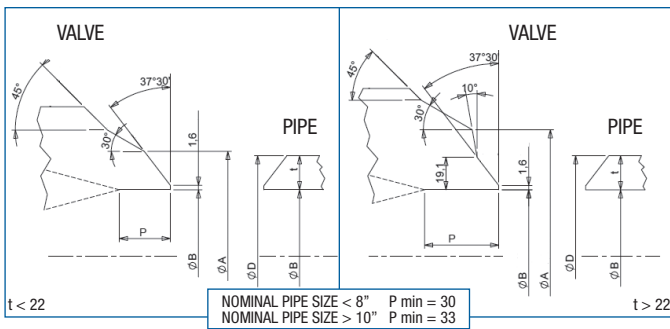
Nominal Pipe Size	Valve	Nominal Pipe D	Identification Schedule	Nominal ID	Wall Thickness Of Pipe
	A			B	T
6"	172	168,3	40 - 40S - STD	154,1	7,1
			5S	162,8	2,77
			10 - 10 S	161,5	3,4
			80 - 80S - XS	146,4	11
			120	139,8	14,3
			160	131,8	18,3
			XXS	124,4	22
8"	223	219,1	40 - 40S - STD	202,7	8,2
			5S	213,6	2,77
			10 - 10 S	211,6	3,76
			20	206,4	6,35
			30	205	7,04
			60	198,5	10,3
			80 - 80S - XS	193,7	12,7
			100	188,9	15,1
			120	182,6	18,3
			140	177,9	20,6
			XXS	174,6	22,2
			160	173,1	23
			10"	278	273
XS	247,7	12,7			
5S	266,3	3,4			
10 - 10 S	264,7	4,19			
20	260,4	6,35			
30	257,5	7,8			
60	247,7	12,7			
80	242,9	15,1			
80 S	247,7	12,7			
100	236,6	18,3			
120	230,2	21,4			
140	222,3	25,4			
XXS	222,3	25,4			
160	215,9	28,6			

N.B. All dimension are given in millimeters.

Important: when ordering butt welding end valves please state the type of ends required and give the pipe dimensions or schedule number.

ORION STEEL VALVES Dimensions

BUTT - WELDING ENDS



BUTT - WELDING ENDS

STANDARD PREPARATION AND DIMENSIONS OF WELDING ENDS

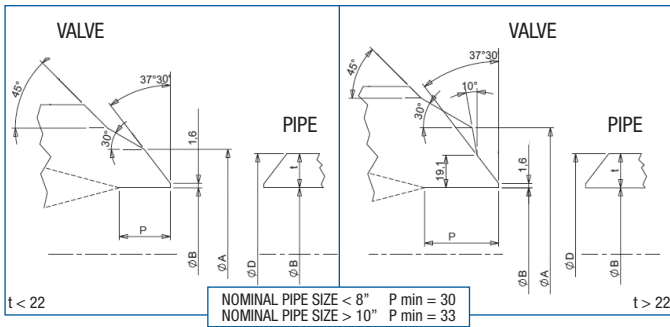
DESIGNATION PER ASME B16.5, ASME B16.25, ASME B36.10, ASME B36.19

Nominal Pipe Size	Valve	Nominal Pipe D	Identification Schedule	Nominal ID	Wall Thickness Of Pipe
	A			B	T
12"	329	323,8	STD	304,8	9,5
			40	303,3	10,3
			40 S	304,8	9,53
			XS	298,5	12,7
			5S	316	3,96
			10 - 10 S	314,8	4,57
			20	311,2	6,35
			30	307,1	8,38
			60	295,4	14,3
			80	288,9	17,5
			80 S	298,5	12,7
			100	281	21,4
			120	273,1	25,4
			140	266,7	28,6
			XXS	273,1	25,4
			14"	362	355,6
40	333,3	11,1			
40 S	336,5	9,53			
XS	330,2	12,7			
5S	347,7	3,96			
10	342,9	6,35			
10 S	346,04	4,78			
20	333,8	7,92			
30	336,5	9,53			
60	325,4	15,1			
80	317,5	19			
80 S	330,2	12,7			
100	307,9	23,8			
120	300	27,8			
140	292,1	31,7			
160	284,2	35,7			

STD = Standard Wall Thickness • XS = Extra Strong Wall Thickness • XXS = Double Extra Strong Wall Thickness

ORION STEEL VALVES Dimensions

BUTT - WELDING ENDS

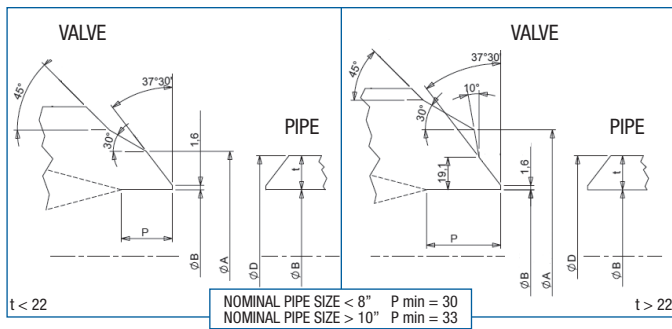


Nominal Pipe Size	Valve	Nominal Pipe D	Identification Schedule	Nominal ID	Wall Thickness Of Pipe
	A			B	T
16"	413	406,4	STD	387,3	9,5
			40	381	12,7
			40 S	387,34	9,53
			5S	398	4,19
			10	393,7	6,35
			10 S	369,84	4,78
			20	390,6	7,92
			30	387,3	9,53
			60	373,1	16,7
			80	363,5	21,4
			80 S	381	12,7
			100	354	26,2
			120	344,5	31
			140	333,3	36,5
18"	464	457,2	40	428,7	14,3
			40 S	437,94	9,53
			XS	431,8	12,7
			5S	448,8	4,19
			10	444,5	6,35
			10 S	447,44	4,78
			20	441,4	7,92
			30	434,9	11,13
			60	419,1	19
			80	409,5	23,8
			80 S	431,6	12,7
			100	398,5	29,4
			120	387,3	34,9
			140	377,9	39,7
20"	516	508	160	366,7	45,2
			STD	489	9,53
			40	477,8	15,1
			40 S	488,94	9,53
			XS	482,6	12,7
			5S	498,4	4,78
			10	495,3	6,35
			10 S	496,92	5,54
			20	488,9	9,53
			30	482,6	12,7
			60	466,8	20,6
			80	455,6	25,2
			80 S	482,6	12,7
			100	442,9	32,5
120	431,8	38,1			
140	419,1	44,4			
160	408	50			

N.B. All dimension are given in millimeters.

Important: when ordering butt welding end valves please state the type of ends required and give the pipe dimensions or schedule number.

ORION STEEL VALVES
Dimensions
 BUTT - WELDING ENDS



BUTT - WELDING ENDS

STANDARD PREPARATION AND DIMENSIONS OF WELDING ENDS

DESIGNATION PER ASME B16.5, ASME B16.25, ASME B36.10, ASME B36.19

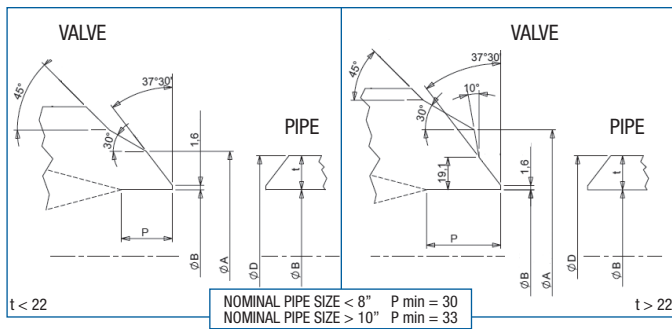
Nominal Pipe Size	Valve	Nominal Pipe D	Identification Schedule	Nominal ID	Wall Thickness Of Pipe
	A			B	T
22"	567	558,8	STD	539,8	9,53
			XS	533,4	12,7
			5S	549,2	4,78
			10	546,1	6,35
			10 S	547,92	5,54
			20	539,7	9,53
			30	533,4	12,7
			60	514,3	22,23
			80	501,6	28,58
			100	488,9	34,93
			120	476,2	41,28
			140	463,5	47,63
160	450,8	53,98			
24"	619	609,6	STD	539,8	9,53
			40	574,6	17,48
			40 S	590,94	9,53
			XS	533,4	12,7
			5S	549,2	4,78
			10	546,1	6,35
			20	539,7	9,53
			30	533,4	12,7
			60	514,3	22,23
			80	501,6	28,58
			80 S	584,6	12,7
			100	488,9	34,93
			120	476,2	41,28
			140	463,5	47,63
160	450,8	53,98			
26"	670	660,4	STD	641,3	9,53
			XS	635	12,7
			10 - 10S	644,6	7,92
			20	635	12,7
28"	721	711,2	STD	692,1	9,53
			XS	685,8	12,7
			10 - 10 S	695,4	7,92
			20	685,8	12,7
			30	679,4	15,88
30"	772	762	STD	742,9	9,53
			XS	736,6	12,7
			5S	749,3	6,35
			10 - 10 S	746,2	7,92
			20	736,6	12,7
			30	730,2	15,88

STD = Standard Wall Thickness • XS = Extra Strong Wall Thickness • XXS = Double Extra Strong Wall Thickness

ORION STEEL VALVES

Dimensions

BUTT - WELDING ENDS



Nominal Pipe Size	Valve	Nominal Pipe D	Identification Schedule	Nominal ID	Wall Thickness Of Pipe
	A			B	T
32"	825	812,8	STD	793,7	9,53
			40 - 40 S	777,8	17,48
			XS	787,4	12,7
			10 - 10 S	797	7,92
			20	787,4	12,7
34"	876	863,6	30	781	15,88
			STD	844,5	9,53
			40 - 40 S	828,6	17,48
			XS	838,2	12,7
			10 - 10 S	847,8	7,92
36"	927	914,4	20	838,2	12,7
			30	831,8	15,88
			STD	895,3	9,53
			40 - 40 S	876,3	19,05
			XS	889	12,7
38"	978	965,2	10 - 10 S	898,6	7,92
			20	889	12,7
			30	882,6	15,88
40"	1029	1016	STD	946	9,53
			XS	940	12,7
42"	1079	1066,8	STD	997	9,53
			XS	990,5	12,7
44"	1130	1117,6	STD	1047,5	9,53
			XS	1041,5	12,7
46"	1181	1168,4	STD	1098,5	9,53
			XS	1092	12,7
48"	1232	1219,2	STD	1149,5	9,53
			XS	1143	12,7
48"	1232	1219,2	STD	1200	9,53
			XS	1194	12,7

N.B. All dimension are given in millimeters.

Important: when ordering butt welding end valves please state the type of ends required and give the pipe dimensions or schedule number.

ORION STEEL VALVES Flow Coefficient

FLOW FORMULATION USING Cv COEFFICIENT

FLOW COEFFICIENT “Cv” DEFINITION: flow rate (gallons/minute) of water (60° F) with 1.0 psi pressure drop across valve.
 FLOW COEFFICIENT “Kv” DEFINITION: flow rate (m³/h) of water (from 5 to 40°C) with 1.0 bar pressure drop across valve.

$$K_v = \frac{C_v}{1.156}$$

Type flow	Flow Rate English Units	Flow Rate Metric units
Liquid	$Q = C_v \sqrt{\frac{\Delta P}{S}}$	$Q = 0.865 C_v \sqrt{\Delta P \frac{\rho_0}{\rho}}$
Gas $\Delta P < 0.5 P_1$	$q'_m = 22.6 C_v \sqrt{\frac{\Delta P \cdot P_1}{T_1 \cdot S_g}}$	$q'_H = 414.97 C_v \sqrt{\frac{\Delta P \cdot P_1}{T_1 \cdot S_g}}$
Gas $\Delta P \geq 0.5 P_1$	$q'_m = \frac{13.9 P_1 C_v}{\sqrt{T_1 \cdot S_g}}$	$q'_H = \frac{255.2 P_1 C_v}{\sqrt{T_1 \cdot S_g}}$
Dry saturated steam $\Delta P < 0.5 P_1$	$W = 2.97 C_v \sqrt{\Delta P \cdot P_1}$	$W = 19.53 C_v \sqrt{\Delta P \cdot P_1}$
Dry saturated steam $\Delta P \geq 0.5 P_1$	$W = 1.82 C_v P_1$	$W = 11.97 C_v P_1$
Superheated steam $\Delta P < 0.5 P_1$	$W = \frac{2.97 C_v \sqrt{\Delta P \cdot P_1}}{(1 + 0.0007s)}$	$W = \frac{19.1 C_v \sqrt{\Delta P \cdot P_1}}{(1 + 0.00123s)}$
Superheated steam $\Delta P \geq 0.5 P_1$	$W = \frac{1.82 C_v P_1}{(1 + 0.0007s)}$	$W = \frac{11.71 C_v P_1}{(1 + 0.00123s)}$
Nomenclature	P ₁ = Absolute inlet pressure (psia) P ₂ = Absolute outlet pressure (psia) P = pressure drop (psi) Q = liquid flow (gpm) q' _m = rate of gas flow (ft³/min) at 14.7 psia and 60°F S = specific gravity of flowing liquid relative to water at 60° F S _g = specific gravity of gas relative to air s = number of degrees of superheated steam in °F T ₁ = absolute inlet temperature (°R) W = steam of vapour flow rate (lbs/h)	P ₁ = Absolute inlet pressure (bar) P ₂ = Absolute outlet pressure (bar) P = pressure drop (bar) Q = liquid flow (m³/h) q' _H = rate of gas flow (m³/h) at 1.01 bar and 15.6°C S = specific gravity of flowing liquid relative to water at 60° F S _g = specific gravity of gas relative to air s = number of degrees of superheated steam in °F T ₁ = absolute inlet temperature (°R) W = steam of vapour flow rate (lbs/h)

ORION STEEL VALVES Flow Coefficient

FLOW FORMULATION USING CV COEFFICIENT

Type flow	Pressure Drop English Units	Pressure Drop Metric units
Liquid	$\Delta P = S \left(\frac{Q}{C_v} \right)^2$	$\Delta P = 1.34S \left(\frac{Q}{C_v} \right)^2$
Gas	$\Delta P = \frac{0.00195 T_1 S_g}{P_1} \left(\frac{Q}{C_v} \right)^2$	$\Delta P = \frac{5.8 \cdot 10^{-6} T_1 S_g}{P_1} \left(\frac{Q_H}{C_v} \right)^2$
Dry saturated steam	$\Delta P = \frac{0.113}{P_1} \left(\frac{W}{C_v} \right)^2$	$\Delta P = \frac{0.00262}{P_1} \left(\frac{W}{C_v} \right)^2$
Superheated steam	$\Delta P = \frac{0.113}{P_1} \left(\frac{W (1 + 0.0007s)}{C_v} \right)^2$	$\Delta P = \frac{0.00274}{P_1} \left(\frac{W (1 + 0.00123s)}{C_v} \right)^2$
Nomenclature	<p> P_1 = Absolute inlet pressure (psia) P_2 = Absolute outlet pressure (psia) P = pressure drop (psi) Q = liquid flow (gpm) q'_m = rate of gas flow (ft³/min) at 14.7 psia and 60°F S = specific gravity of flowing liquid relative to water at 60° F S_g = specific gravity of gas relative to air s = number of degrees of superheated steam in °F T_1 = absolute inlet temperature (°R) W = steam of vapour flow rate (lbs/h) </p>	<p> P_1 = Absolute inlet pressure (bar) P_2 = Absolute outlet pressure (bar) P = pressure drop (bar) Q = liquid flow (m³/h) q'_H = rate of gas flow (m³/h) at 1.01 bar and 15.6°C S = specific gravity of flowing liquid relative to water at 60° F S_g = specific gravity of gas relative to air s = number of degrees of superheated steam in °F T_1 = absolute inlet temperature (°R) W = steam of vapour flow rate (lbs/h) </p>

ORION STEEL VALVES Flow Coefficient

AXIAL CHECK VALVES FLOW COEFFICIENTS						
DN	150	300	600	900	1500	2500
2"	63	/	/	109	109	/
3"	155	/	/	/	(125
4"	410	410	410	380	380	290
6"	520	500	500	422	389	322
8"	765	765	765	769	702	610
10"	1.203	1.205	1.202	1.208	1.087	946
12"	3.744	3.720	3.600	3.500	3.500	2.900
14"	5.150	5.060	5.010	4.980	4.200	4.200
16"	5.230	5.150	5.150	5.000	4.900	4.800
18"	5.900	5.900	5.900	5.140	5.120	5.120
20"	7.271	7.271	7.271	5.800	5.800	4.900
22"	8.800	8.800	8.800	5.583	5.583	-
24"	10.500	10.500	10.500	8.700	8.700	-
26"	15.080	15.080	15.080	9.800	9.800	-
28"	17.500	17.500	17.500	13.500	12.300	-
30"	20.050	20.050	20.050	19.600	19.500	-
32"	22.850	22.850	22.850	20.100	20.100	-
34"	25.800	25.800	25.800	22.600	22.580	-
36"	30.000	30.000	30.000	25.800	25.800	-

THROUGH CONDUIT GATE VALVES FLOW COEFFICIENTS							
DN (inch)	150	300	400	600	900	1500	2500
2"	500	500	500	500	500	500	376
2 1/2"	797	797	797	797	797	797	564
3"	1.180	1.180	1.180	1.180	1.180	1.180	797
4"	2.161	2.161	2.161	2.161	2.161	2.161	1.630
5"	3.447	3.447	3.447	3.447	3.447	3.079	2.465
6"	5.074	5.074	5.074	5.074	5.074	4.609	3.822
7"	6.984	6.984	6.984	6.984	6.984	6.235	5.300
8"	9.228	9.228	9.228	9.228	9.228	8.360	7.236
10"	14.860	14.860	14.860	14.860	14.860	13.320	11.490
12"	21.800	21.800	21.800	21.800	21.800	19.465	16.460
14"	26.750	26.750	26.750	26.750	24.670	23.700	/
16"	35.900	35.900	35.900	35.900	33.370	31.146	/
18"	46.570	46.570	46.570	46.570	43.610	32.870*	/
20"	58.800	58.800	58.800	58.800	54.665	41.655*	/
22"	72.690	72.690	72.690	72.690	67.980	51.058*	/
24"	88.300	88.300	88.300	88.300	82.090	61.260*	/
26"	102.870	102.870	102.870	102.870	97.490	72.690*	/
28"	120.900	120.900	120.900	120.900	113.930	86.290*	/
30"	140.570	140.570	140.570	140.570	131.800	99.600*	/
32"	159.300	159.300	159.300	159.300	150.900	/	/
34"	182.140	182.140	182.140	182.140	171.980	/	/
36"	203.780	203.780	203.780	203.780	194.380	/	/
38"	228.840	228.840	228.840	228.840	/	/	/
40"	255.880	255.880	255.880	255.880	/	/	/
42"	280.600	280.600	280.600	280.600	/	/	/
44"	307.080	307.080	307.080	307.080	/	/	/
46"	341.100	341.100	341.100	341.100	/	/	/
48"	374.770	374.770	374.770	374.770	/	/	/

Value are calculated for bore diameter as per API 6D FULL BORE
 *Value are calculated for bore diameter as per ASME B16.34

For Cv valves not mentioned in the table above, please ask ORION Technical Department.

ORION STEEL VALVES Flow Coefficient

WEDGE GATE VALVES FLOW COEFFICIENTS							
DN	150	300	400	600	900	1500	2500
1 1/2"	130	130	130	130	112	112	73
2"	240	240	240	240	210	210	130
2 1/2"	380	380	380	380	310	310	230
3"	560	560	560	560	520	475	310
4"	1.000	1.000	1.000	1.000	950	850	520
5"	1.650	1.650	1.650	1.650	1.500	1.400	900
6"	2.400	2.400	2.400	2.400	2.230	1.900	1.300
8"	4.400	4.400	4.400	4.300	4.000	3.500	2.400
10"	7.100	7.100	7.100	6.800	6.130	5.500	3.750
12"	10.200	10.200	10.200	9.800	9.000	8.000	5.400
14"	13.000	13.000	12.300	11.900	11.000	9.500	/
16"	17.000	17.000	16.200	15.900	14.500	12.500	/
18"	22.000	21.500	21.500	20.100	18.500	16.000	/
20"	27.500	27.000	26.000	25.000	24.000	20.000	/
22"	34.300	33.500	32.600	30.700	28.100	24.400	/
24"	40.200	39.800	39.500	37.500	34.000	29.500	/
26"	49.900	48.800	46.700	43.700	40.000	34.600	/
28"	58.300	57.200	54.400	50.900	46.800	40.800	/
30"	67.800	66.500	63.000	58.900	53.900	48.000	/
32"	75.500	75.500	75.500	75.500	/	/	/
36"	96.000	96.000	96.000	96.000	/	/	/
42"	132.000	132.000	132.000	132.000	/	/	/
48"	175.000	175.000	175.000	175.000	/	/	/
60"	279.000	279.000	279.000	279.000	/	/	/

Bore diameter as per ASME B16.34
For 32" and over bore diameter was considered as per API 6D

GLOBE VALVES FLOW COEFFICIENTS							
DN	150	300	400	600	900	1500	2500
1 1/2"	26	26	26	26	21	21	14
2"	47	47	47	47	43	43	27
2 1/2"	75	75	75	75	60	60	45
3"	110	110	110	110	100	93	62
4"	205	205	205	205	190	170	105
5"	325	325	325	325	290	245	170
6"	428	428	428	428	396	342	225
8"	765	765	765	747	675	585	387
10"	1.120	1.120	1.120	1.056	960	840	560
12"	1.680	1.680	1.680	1.552	1.384	1.210	808
14"	1.950	1.950	1.838	1.770	1.590	1.470	/
16"	2.550	2.550	2.445	2.362	2.282	1.950	/
18"	3.270	3.172	3.172	2.985	2.921	2.470	/
20"	4.125	4.020	3.960	3.701	3.650	3.180	/
24"	/	/	/	/	/	4.650	/

Bore diameter as per ASME B16.34
For 32" and over bore diameter was considered as per API 6D

For Cv valves not mentioned in the table above, please ask ORION Technical Department.

ORION STEEL VALVES Flow Coefficient

SWING CHECK VALVES FLOW COEFFICIENTS							
DN	150	300	400	600	900	1500	2500
1 1/2"	40	40	40	40	30	30	23
2"	75	75	75	75	65	65	42
2 1/2"	120	120	120	120	95	95	68
3"	175	175	175	175	160	145	98
4"	320	320	320	320	300	265	150
5"	510	510	510	510	460	390	270
6"	760	760	760	760	700	610	400
8"	1.400	1.400	1.400	1.350	1.250	1.050	720
10"	2.250	2.250	2.250	2.150	1.950	1.700	1.200
12"	3.300	3.300	3.300	3.200	2.900	2.500	1.700
14"	4.100	4.100	4.000	3.800	3.500	2.900	/
16"	5.300	5.300	5.200	5.050	4.500	3.800	/
18"	7.000	6.800	6.800	6.500	6.000	5.000	/
20"	8.800	8.600	8.300	7.900	7.000	6.250	/
22"	10.800	10.500	10.200	9.600	8.700	7.500	/
24"	13.500	13.000	12.500	11.800	10.800	9.400	/
26"	15.500	15.200	14.600	13.700	/	/	/
28"	18.200	17.800	17.000	15.800	/	/	/
30"	21.100	20.700	19.600	18.400	/	/	/
32"	23.600	23.600	23.600	23.600	/	/	/
36"	30.300	30.300	30.300	30.300	/	/	/
42"	41.800	41.800	41.800	41.800	/	/	/
48"	55.000	55.000	55.000	55.000	/	/	/
60"	76.000	76.000	76.000	76.000	/	/	/

Bore diameter as per ASME B16.34
For 32" and over bore diameter was considered as per API 6D

DUAL PLATE CHECK VALVES FLOW COEFFICIENTS						
NPS	150	300	600	900	1500	2500
2"	55	55	44	44	45	45
2 1/2"	122	122	110	110	112	112
3"	133	133	125	125	126	126
4"	326	326	220	220	196	196
6"	820	820	590	590	524	524
8"	1.428	1.428	1.142	1.142	1.009	1.009
10"	2.665	2.665	2.132	2.132	1.884	1.884
12"	3.889	3.889	3.111	3.111	2.776	2.776
14"	5.100	4.590	/	/	/	/
16"	7.323	6.590	/	/	/	/
18"	10.150	9.135	/	/	/	/
20"	12.648	11.383	/	/	/	/
24"	23.575	21.218	/	/	/	/
28"		21.500				
30"	40.600	36.540	/	/	/	/
36"	60.600	54.540	/	/	/	/
42"	/	/	/	/	/	
48"	/	/	/			

For Cv valves not mentioned in the table above, please ask ORION Technical Department.

ORION STEEL VALVES
Materials

MATERIAL SPECIFICATIONS

Application Fields	Material Type	CAST			FORGED		
		ASTM	Symbol	Material Group Asme B16.34-2013	ASTM	Symbol	Material Group Asme B16.34-2013
GENERAL SERVICE AND HIGH TEMPERATURE SERVICE	CARBON STEEL						
	C-Si	A 216 GR WCB	WCB	1.1	A 105	A105	1.1
					A 515 GR 70	GR70	1.1
					A 106 GR C	A106-C	1.2
					A 106 GR A	A106-A	N/A
	C-Mn-Si	A 216 GR WCC	WCC	1.2			
A 216 GR WCA		WCA	N/A				
HIGH TEMPERATURE SERVICE	Alloy steel						
	C- 0,5 Mo	A 217 GR WC1	WC1	1.3	A 182 GR F1	F1	1.5
	0,5 Cr - 0,5 Mo				A 182 GR F2	F2	1.7
	1,25 Cr - 0,5 Mo	A 217 GR WC6	WC6	1.9			
	1,25 Cr - 0,5 Mo	A 217 GR WC11	WC11	N/A			
	1,25 Cr - 0,5 Mo - Si				A 182 GR F11 CL.2	F11-cl2	1.9
	1Cr - 0,5 Mo				A 182 GR F12 CL.2	F12-cl2	1.17
	2,25 Cr - 1Mo	A 217 GR WC9	WC9	1.10	A 182 GR F22 CL3	F22-cl3	1.10
	3 Cr - 1 Mo				A 182 GR F21 CL.1	F21-cl1	NA
	5Cr - 0,5 Mo	A 217 GR C5	C5	1.13	A 182 GR F5A	F5A	1.13
	5Cr - 0,5 Mo				A 182 GR F5	F5	1.17
	9 Cr - 1 Mo	A 217 GR C12	C12	1.14	A 182 GR F9	F9	1.14
	9 Cr - 1 Mo - 0.2 V	A 217 GR C12A	C12A	1.15			
	1 Ni - 0,5 Cr - 0,5 Mo	A 217 GR WC4	WC4	1.7			
0.75 Ni - 0.75 Cr - 1 Mo	A 217 GR WC5	WC5	1.7				
HIGH TEMPERATURE SERVICE, CORROSIVE / CRYOGENIC SERVICE	STAINLESS STEEL						
	13 Cr	A 217 GR CA15	CA15	N/A	A 182 GR F6A	F6A	N/A
	13 Cr - 0,75 Mo	A 487 GR CA15M	CA15M	N/A			
	13 Cr - 4 Ni				A 182 GR F6NM	F6NM	N/A
	13 Cr - 4 Ni - 0,7 Mo	A 352 GR CA6NM	CA6NM	N/A			
	14 Cr	A 487 GR CA15	CA15	N/A			
	16 Cr - 12 Ni - 2 Mo	A 351 GR CF8M	CF8M	2.2	A 182/ A 240 GR F316	316	2.2
	16 Cr - 12 Ni - 2 Mo - Low C	A 351 GR CF3M	CF3M	2.2			
	16 Cr - 12 Ni - 2 Mo				A 182/ A 240 GR F316H	316H	2.2
	16 Cr - 12 Ni - 2 Mo - Low C				A 182/ A 240 GR F316L	316L	2.3
	16 Cr - 4 Ni				A 564 GR 630	17-4 PH	N/A
	17 Cr				A 182 GR F430	430	N/A
	18 Cr - 10 Ni - Nb				A 182/ A 240 GR F347H	347H	2.5
	18 Cr - 10 Ni - Ti				A 182 / A 240 GR F321	321	2.4
	18 Cr - 8 Ni	A 351 GR CF8	CF8	2.1	A 182/ A 240 GR F304	304	2.1
	18 Cr - 8Ni	A 351 GR CF10	CF10	2.1	A 182/ A 240 GR F304H	304H	2.1
	19 Cr - 10 Ni - 3 Mo	A 351 GR CG3M	CG3M	2.2			
	19 Cr - 10 Ni - Nb				A 182/ A 240 GR F347	347	2.5
	19 Cr - 10 Ni - Ti				A 182/ A 240 GR F321H	321H	2.4
	19 Cr - 9 Ni - Low C	A 351 GR CF3	CF3	2.1	A 182/ A 240 GR F304L	304L	2.3
	19 Cr - 9 Ni - Nb	A 351 GR CF8C	CF8C	2.11			
	20 Cr - 10 Ni - 3 Mo	A 351 GR CG8M	CG8M	2.2			
	20 Cr - 18 Ni - 6 Mo	A 351 GR CK3MCuN	CK3MCUN	2.8	A 182 GR F44	F44	2.8
22 cr - 13 Ni - 5 Mo				A 182/ A 240 GR FXM-19	XM19	N/A	
25 Cr - 20 Ni	A 351 GR CK20	CK20	2.12				
26 Cr - 20 Ni				A 182/ A 240 GR F310H	310H	2.7	

ORION STEEL VALVES Materials

MATERIAL SPECIFICATIONS

Application Fields	Material Type	CAST			FORGED		
		ASTM	Symbol	Material Group Asme B16.34-2013	ASTM	Symbol	Material Group Asme B16.34-2013
HIGH TEMPERATURE SERVICE, HIGHER CORROSION RESISTANCE	DUPLEX STAINLESS STEEL						
	20 Cr - 29 Ni - 2,5 Mo	A 351 GR CN7M	CN7M	3.17			
	21 Cr - 24 Ni - 6 Mo-Cu-N	A 351 GR CN3MN	CN3MN	3.12			
	22 Cr - 5 Ni - 3 Mo	A 890 GR 4A	4A	N/A	A 182/ A 240 GR F51	F51	2.8
	25 Cr - 5 Ni - Mo-Cu-N	A 995 GR 1B (a)	1B	N/A			
	25 Cr - 7 Ni - 4 Mo - N	A 890 GR 5A	5A	N/A			
	25 Cr - 7 Ni - 4 Mo - N				A 182/ A 240 GR F53	F53	2.8
	25 Cr - 7,5 Ni - 3,5 Mo -N-Cu-W				A 182/ A 240 GR F55	F55	2.8
	25 Cr 7.5 Ni 3,5 Mo	A 890 GR 6A	6A	N/A			
26 Cr - 5,35 Ni - 2 Mo	A 890 GR 1A	1A	N/A	A 182 GR F50	F50	N/A	
LOW TEMPERATURE SERVICE	LOW TEMPERATURE STEEL						
	0,5 Mo	A 352 GR LC1	LC1	1.3			
	2 Ni	A 352 GR LC2	LC2	1.2			
	3 Ni	A 352 GR LC2 CL. 1	LC2-1	N/A			
	3,5 Ni	A 352 GR LC3	LC3	1.2	A 350 GR LF3	LF3	1.1
	4,5 Ni	A 352 GR LC4	LC4	N/A			
	9 Ni	A 352 GR LC9	LC9	N/A			
	Cr - Mn - Si	A 352 GR LCA	LCA	N/A			
	Cr - Mn - Si	A 352 GR LCB	LCB	1.3	A 350 GR LF2	LF2	1.1
	Cr - Mn - Si	A 352 GR LCC	LCC	1.2			
Cr - Mo	A 757 GR D1Q2	D1Q2	N/A				
EXCELLENT CORROSION RESISTANCE	CORROSION RESISTANT ALLOYS						
	Monel 400 (Ni-Cu)	A 494 GR M35-1	M35-1	3.4	B 564 GR N04400	M400	3.4
	Monel K500 (Ni-Cu)	A 494 GR M30H	MK500	N/A	B 865 GR N05500	MK500	N/A
	Hastelloy C-22 (Ni-Cr-Mo)	A 494 GR CX2MW	CX2MW	N/A			
	Hastelloy C-276 (Ni-Cr-Mo)	A 494 GR CW12MW	HASTC	3.15			
	Hastelloy B (Ni-Mo)	A 494 GR N12MV	N12MV	3.15	B 335	HASTB	N/A
	Hastelloy B2 (Ni-Mo)	A 494 GR N7M	N7M	N/A			
	Incoloy 825 (Ni-Fe-Cr)	A 494 GR CU5MCuC	CU5MCUC	N/A	B 564 GR N08825	IL8825	3.8
	Incoloy 20 (Ni-Fe-Cr)				B 473 GR N08020	IL20	3.1
	Inconel 600 (Ni-Cr)	A 494 GR CY40	CY40	N/A	B 166 GR N06600	IN600	3.5
	Inconel 625 (Ni-Cr-Mo-Nb)	A 494 GR CW8MC	IN625	N/A	B 564 GR N06625	IN625	3.8
	Inconel 718 (Ni-Cr)				B 637 GR N07718	IN718	N/A
				B 670 GR N07718	IN718	N/A	
Titanium alloy				B367 GR C2	TiC2	N/A	

(a) replaces the A 351 GR CD4MCu

ORION STEEL VALVES Materials

BOLTING

BOLTING

Application Fields	Material Type	ASTM	
		BOLTS	NUTS
HIGH TEMPERATURE SERVICE	Alloy Steel	A 193 GR B16	A 194 GR 4
		A 193 GR B7	A 194 GR 2H
		A 193 GR B7M	A 194 GR 2HM
		A 193 GR L7	A 194 GR 7
		A 193 GR L7M	A 194 GR 7M
	Stainless Steel	A 193 GR B8	A 194 GR 8
		A 193 GR B8M CL.1	A 194 GR 8M
		A 193 GR B8MN	A 194 GR 8MN
		A 193 B8T	A 194 GR 8T
		A 193 B8T	A 194 GR 8T
LOW TEMPERATURE SERVICE	Alloy Steel	A 320 GR L7	A 194 GR 4
		A 320 GR L7M	A194 GR 2HM
	Stainless Steel	A 320 GR B8	A 194 GR 8
		A 320 GR B8M	A 194 GR 8M

ORION STEEL VALVES

O-Ring Materials

Material Type	Short Name	T Range (°C)	Compatibility with Methanol	Compatibility with H2S dry-cold	Compatibility with H2S dry and wet - hot	Compatibility with H2S wet - cold	Compatibility with gasoline
Polyacrylate rubber	ACM	-20 ÷ 150	bad	bad	bad	bad	very good
Tetrafluorethylene-propylene elastomer (Aflas)	FEPM	0 ÷ 200	n/a	n/a	n/a	n/a	good
Butyl rubber	IIR	-35 ÷ 120	very good	very good	very good	very good	bad
Hydrogenated acrylonitrile-butadiene rubber	HNBR	-25 ÷ 160	good	very good	bad	bad	good
Epichlorohydrin copolymer rubber	ECO	-30 ÷ 150	n/a	n/a	n/a	n/a	very good
Ethylene-propylene diene rubber	EPM/EPDM	-45 ÷ 120	very good	very good	very good	very good	bad
Tetrafluorethylene (Teflon)	PTFE	-200 ÷ 250	n/a	n/a	n/a	n/a	very good
Fluorocarbon (Viton)	FKM	-15 ÷ 200	bad	bad	bad	very good	very good
Fluorosilicone	FVMQ	-60 ÷ 180	very good	fair	fair	fair	good
Chlorosulphonated Polyethylene rubber	CSM	-30 ÷ 120	very good	very good	fair	good	bad
Perfluoro rubber (Kalrez)	FFKM	-25 ÷ 315	very good	very good	very good	very good	very good
Natural rubber	NR	-50 ÷ 100	very good	very good	bad	bad	bad
Chloroprene rubber	CR	-40 ÷ 120	good	very good	good	very good	fair
Nitrile rubber	NBR	-30 ÷ 120	good	very good	bad	bad	good
Polyurethane	AU/EU	-15 ÷ 85	bad	n/a	n/a	n/a	good
Silicone rubber	VMQ	-60 ÷ 200	very good	fair	fair	fair	bad

Material Type	Short Name	Compatibility with fuel oils	Compatibility with aromatic hydrocarbons	Compatibility with diluted alkalis	Compatibility with diluted acids
Polyacrylate rubber	ACM	very good	fair	bad	bad
Tetrafluorethylene-propylene elastomer (Aflas)	FEPM	very good	fair	good	very good
Butyl rubber	IIR	bad	bad	very good	very good
Hydrogenated acrylonitrile-butadiene rubber	HNBR	good	fair	good	very good
Epichlorohydrin copolymer rubber	ECO	very good	bad	good	fair
Ethylene-propylene diene rubber	EPM/EPDM	bad	bad	very good	good
Tetrafluorethylene (Teflon)	PTFE	very good	very good	very good	very good
Fluorocarbon (Viton)	FKM	very good	very good	good	very good
Fluorosilicone	FVMQ	good	very good	good	fair
Chlorosulphonated Polyethylene rubber	CSM	fair	bad	very good	bad
Perfluoro rubber (Kalrez)	FFKM	very good	very good	very good	very good
Natural rubber	NR	bad	bad	good	fair
Chloroprene rubber	CR	fair	bad	good	fair
Nitrile rubber	NBR	good	fair	good	fair
Polyurethane	AU/EU	fair	bad	bad	bad
Silicone rubber	VMQ	bad	bad	good	fair

ORION STEEL VALVES
Trim

API 600 Trim n°	Gate Valves Wedge Check Valves Disc	Gate - Check Valves Seat Ring	Globe Disc	Globe Seat Ring	Back Seat	Stem - Hinge Pin
1				F6		
2				F304		
3				F310		
4		F6 HARD			F6 HARD	
5		STELLITE			F6	
6	F6	MONEL			F6	
7	F6	F6 HARD	F6	F6 HARD		
8	F6	STELLITE	F6	STELLITE		F6
9		MONEL				
10				316		
11	MONEL	STELLITE	MONEL	STELLITE		MONEL
12	316	STELLITE	316	STELLITE		316
13				ALLOY 20		
14	ALLOY 20	STELLITE	ALLOY 20	STELLITE		ALLOY 20
15		STELLITE				304
16		STELLITE				316
17				347		
18		STELLITE				B473

ORION STEEL VALVES

Pressure Temperature Ratings

ASME B16.34 - 2013

CLASS 150

		Group 1.1		Group 1.2		Group 1.3		Group 1.5		Group 1.7		Group 1.9		Group 1.10	
CAST		WCB(1)		LC2 (4)		WC1 (2) (12)				WC4 (6) (12)		WC6 (7) (12)		WC9 (7) (12)	
				LC3 (4)		LCB (4)				WC5 (12)					
				LCC (4)		LC1 (4)									
				WCC (1)											
FORGED		A105 (1)		A106-C (5)				F1 (2)		F2 (6)		F11-cl2 (3) (12)		F22-cl3 (3)	
		LF2 (1)													
		LF3 (4)													
		GR70 (1)													
TEMP:°F	TEMP:°C	PSI	BAR	PSI	BAR	PSI	BAR	PSI	BAR	PSI	BAR	PSI	BAR	PSI	BAR
-20 to 100	-29 to 38	284	20	287	19,8	267	18,4	267	18,4	287	19,8	287	19,8	287	19,8
122	50	278	19	283	19,5	264	18,2	267	18,4	283	19,5	283	19,5	283	19,5
212	100	257	18	257	17,7	252	17,4	257	17,7	257	17,7	257	17,7	257	17,7
302	150	229	16	231	15,9	229	15,8	229	15,8	229	15,8	229	15,8	229	15,8
392	200	200	14	200	13,8	200	13,8	200	13,8	200	13,8	200	13,8	200	13,8
482	250	175	12	175	12,1	175	12,1	175	12,1	175	12,1	175	12,1	175	12,1
572	300	148	10	148	10,2	148	10,2	148	10,2	148	10,2	148	10,2	148	10,2
617	325	135	9	135	9,3	135	9,3	135	9,3	135	9,3	135	9,3	135	9,3
662	350	122	8	122	8,4	122	8,4	122	8,4	122	8,4	122	8,4	122	8,4
707	375	107	7	107	7,4	107	7,4	107	7,4	107	7,4	107	7,4	107	7,4
752	400	94	7	94	6,5	94	6,5	94	6,5	94	6,5	94	6,5	94	6,5
797	425	80	6	80	5,5	80	5,5	80	5,5	80	5,5	80	5,5	80	5,5
842	450	67	5	67	4,6	67	4,6	67	4,6	67	4,6	67	4,6	67	4,6
887	475	54	4	54	3,7	54	3,7	54	3,7	54	3,7	54	3,7	54	3,7
932	500	41	3	41	2,8	41	2,8	41	2,8	41	2,8	41	2,8	41	2,8
1000	538	20	1	20	1,4	20	1,4	20	1,4	20	1,4	20	1,4	20	1,4
1022	550	/	/	/	/	/	/	/	/	20 (a)	1,4 (a)	20 (a)	1,4 (a)	20 (a)	1,4 (a)
1067	575	/	/	/	/	/	/	/	/	20 (a)	1,4 (a)	20 (a)	1,4 (a)	20 (a)	1,4 (a)
1112	600	/	/	/	/	/	/	/	/	/	/	20 (a)	1,4 (a)	20 (a)	1,4 (a)
1157	625	/	/	/	/	/	/	/	/	/	/	20 (a)	1,4 (a)	20 (a)	1,4 (a)
1202	650	/	/	/	/	/	/	/	/	/	/	16 (a)	1,1 (a)	16 (a)	1,1 (a)
1247	675	/	/	/	/	/	/	/	/	/	/	/	/	/	/
1292	700	/	/	/	/	/	/	/	/	/	/	/	/	/	/
1337	725	/	/	/	/	/	/	/	/	/	/	/	/	/	/
1382	750	/	/	/	/	/	/	/	/	/	/	/	/	/	/
1427	775	/	/	/	/	/	/	/	/	/	/	/	/	/	/
1472	800	/	/	/	/	/	/	/	/	/	/	/	/	/	/
1501	816	/	/	/	/	/	/	/	/	/	/	/	/	/	/
Shell test		426,3	29,4	430,7	29,7	400,2	27,6	400,2	27,6	430,7	29,7	430,7	29,7	430,7	29,7
Seat test		312,6	21,6	315,8	21,8	293,5	20,2	293,5	20,2	315,8	21,8	315,8	21,8	315,8	21,8

General Notes:
 Materials shall not be used beyond temperature limits specified in the governing Code.
 (1) Permissible, but not recommended for prolonged usage above about 425°C / 800°F.
 (2) Permissible, but not recommended for prolonged usage above about 470°C / 875°F.
 (3) Permissible, but not recommended for prolonged usage above about 595°C / 1100°F.
 (4) Not to be used over 345°C / 650°F.
 (5) Not to be used over 425°C / 800°F.
 (6) Not to be used over 538°C / 1000°F.
 (7) Not to be used over 595°C / 1103°F.

Pressure Temperature Ratings

ASME B16.34 - 2013

Group 1.13		Group 1.14		Group 1.15		Group 1.17		Group 2.1		Group 2.2		Group 2.3		Group 2.4	
C5 (12)		C12 (12)		C12A				CF8 (11)		CF8M (11)					
								CF10		CG3M (9)					
								CF3 (5)		CG8M (6)					
										CF3M (5)					
F5A		F9				F5		304		316 (11)		304L (5)		321 (6)	
						F12-cl2 (3) (12)		304H (11)		316H		316L		321H (14)	
PSI	BAR	PSI	BAR	PSI	BAR	PSI	BAR	PSI	BAR	PSI	BAR	PSI	BAR	PSI	BAR
290	20,0	290	20	290	20	287	19,8	276	19	276	19	231	15,9	276	19
283	19,5	283	19,5	283	19,5	283	19,5	265	18,3	267	18,4	222	15,3	270	18,6
257	17,7	257	17,7	257	17,7	257	17,7	228	15,7	235	16,2	193	13,3	247	17
229	15,8	229	15,8	229	15,8	229	15,8	206	14,2	215	14,8	174	12	200	13,8
200	13,8	200	13,8	200	13,8	200	13,8	191	13,2	199	13,7	162	11,2	175	12,1
175	12,1	175	12,1	175	12,1	175	12,1	175	12,1	175	12,1	152	10,5	148	10,2
148	10,2	148	10,2	148	10,2	148	10,2	148	10,2	148	10,2	145	10	135	9,3
135	9,3	135	9,3	135	9,3	135	9,3	135	9,3	135	9,3	135	9,3	122	8,4
122	8,4	122	8,4	122	8,4	122	8,4	122	8,4	122	8,4	122	8,4	107	7,4
107	7,4	107	7,4	107	7,4	107	7,4	107	7,4	107	7,4	107	7,4	94	6,5
94	6,5	94	6,5	94	6,5	94	6,5	94	6,5	94	6,5	94	6,5	80	5,5
80	5,5	80	5,5	80	5,5	80	5,5	80	5,5	80	5,5	80	5,5	67	4,6
67	4,6	67	4,6	67	4,6	67	4,6	67	4,6	67	4,6	67	4,6	54	3,7
54	3,7	54	3,7	54	3,7	54	3,7	54	3,7	54	3,7	/	/	41	2,8
41	2,8	41	2,8	41	2,8	41	2,8	41	2,8	41	2,8	/	/	20	1,4
20	1,4	20	1,4	20	1,4	20	1,4	20	1,4	20	1,4	/	/	20 (a)	1,4 (a)
20	1,4 (a)	20	1,4 (a)	20 (a)	1,4 (a)	20 (a)	1,4 (a)	20 (a)	1,4 (a)	20 (a)	1,4 (a)	/	/	20 (a)	1,4 (a)
20	1,4 (a)	20	1,4 (a)	20 (a)	1,4 (a)	20 (a)	1,4 (a)	20 (a)	1,4 (a)	20 (a)	1,4 (a)	/	/	20 (a)	1,4 (a)
20	1,4 (a)	20	1,4 (a)	20 (a)	1,4 (a)	20 (a)	1,4 (a)	20 (a)	1,4 (a)	20 (a)	1,4 (a)	/	/	20 (a)	1,4 (a)
20	1,4 (a)	20	1,4 (a)	20 (a)	1,4 (a)	20 (a)	1,4 (a)	20 (a)	1,4 (a)	20 (a)	1,4 (a)	/	/	20 (a)	1,4 (a)
13	0,9 (a)	20	1,4 (a)	20 (a)	1,4 (a)	13 (a)	0,9 (a)	20 (a)	1,4 (a)	20 (a)	1,4 (a)	/	/	20 (a)	1,4 (a)
/	/	/	/	/	/	/	/	20 (a)	1,4 (a)	20 (a)	1,4 (a)	/	/	20 (a)	1,4 (a)
/	/	/	/	/	/	/	/	20 (a)	1,4 (a)	20 (a)	1,4 (a)	/	/	20 (a)	1,4 (a)
/	/	/	/	/	/	/	/	20 (a)	1,4 (a)	20 (a)	1,4 (a)	/	/	20 (a)	1,4 (a)
/	/	/	/	/	/	/	/	20 (a)	1,4 (a)	20 (a)	1,4 (a)	/	/	20 (a)	1,4 (a)
/	/	/	/	/	/	/	/	20 (a)	1,4 (a)	20 (a)	1,4 (a)	/	/	20 (a)	1,4 (a)
/	/	/	/	/	/	/	/	17 (a)	1,2 (a)	17 (a)	1,2 (a)	/	/	17 (a)	1,2 (a)
/	/	/	/	/	/	/	/	15 (a)	1 (a)	15 (a)	1 (a)	/	/	15 (a)	1 (a)
435,0	30,0	435,0	30,0	435,0	30,0	430,7	29,7	413,3	28,5	413,3	28,5	345,8	23,9	413,3	28,5
319,0	22,0	319,0	22,0	319,0	22,0	315,8	21,8	303,1	20,9	303,1	20,9	253,6	17,5	303,1	20,9

(8) Not to be used over 315°C / 599°F.

(9) Not to be used over 455°C / 851°F.

(10) Not to be used over 645°C / 1193°F.

(11) At temperatures above 538°C / 1000°F use only when the carbon content is 0.04% or higher.

(12) Use normalized and tempered material only.

(13) Only use solution annealed material.

(14) At temperatures above 538°C, use only if the material is heat treated by heating to a minimum temperature of 1095°F.

(a) Flanged-end valve ratings terminate at 538°C / 1000°F.

ORION STEEL VALVES

Pressure Temperature Ratings

ASME B16.34 - 2013

CLASS 150

		Group 2.5		Group 2.7		Group 2.8		Group 2.11		Group 2.12		Group 3.1		Group 3.4	
CAST		CF8C				CK3MCUN		CF8C (11)		CK20 (11)				M35-1 (13)	
FORGED		347H		310H		F51 (8)						IL20 (13)		M400 (13)	
		347 (6)				F53 (8)									
						F55									
						F44									
TEMP.°F	TEMP.°C	PSI	BAR	PSI	BAR	PSI	BAR	PSI	BAR	PSI	BAR	PSI	BAR	PSI	BAR
-20 to 100	-29 to 38	275,5	19	275,5	19	290	20	275,5	19	258	17,8	290	20	290	20
122	50	271,15	18,7	268,25	18,5	282,75	19,5	271,15	18,7	247	17	282,75	19,5	282,75	19,5
212	100	252,3	17,4	240,7	16,6	256,65	17,7	252,3	17,4	209	14,4	256,65	17,7	256,65	17,7
302	150	229,1	15,8	221,85	15,3	229,1	15,8	229,1	15,8	194	13,4	229,1	15,8	229,1	15,8
392	200	200,1	13,8	200,1	13,8	200,1	13,8	200,1	13,8	187	12,9	200,1	13,8	200,1	13,8
482	250	175,45	12,1	174	12	175,45	12,1	175,45	12,1	175	12,1	175,45	12,1	175,45	12,1
572	300	147,9	10,2	147,9	10,2	147,9	10,2	147,9	10,2	148	10,2	147,9	10,2	147,9	10,2
617	325	134,85	9,3	134,85	9,3	134,85	9,3	134,85	9,3	135	9,3	134,85	9,3	134,85	9,3
662	350	121,8	8,4	121,8	8,4	121,8	8,4	121,8	8,4	122	8,4	121,8	8,4	121,8	8,4
707	375	107,3	7,4	107,3	7,4	107,3	7,4	107,3	7,4	107	7,4	107,3	7,4	107,3	7,4
752	400	94,25	6,5	81,2	5,6	94,25	6,5	94,25	6,5	94	6,5	94,25	6,5	94,25	6,5
797	425	79,75	5,5	79,75	5,5	/	/	79,75	5,5	80	5,5	79,75	5,5	79,75	5,5
842	450	66,7	4,6	66,7	4,6	/	/	66,7	4,6	67	4,6	/	/	/	/
887	475	53,65	3,7	53,65	3,7	/	/	53,65	3,7	54	3,7	/	/	/	/
932	500	40,6	2,8	40,6	2,8	/	/	40,6	2,8	41	2,8	/	/	/	/
1000	538	20,3	1,4	20,3	1,4	/	/	20,3	1,4	20	1,4	/	/	/	/
1022	550	20 (a)	1,4 (a)	20 (a)	1,4 (a)	/	/	20 (a)	1,4 (a)	20 (a)	1,4 (a)	/	/	/	/
1067	575	20 (a)	1,4 (a)	20 (a)	1,4 (a)	/	/	20 (a)	1,4 (a)	20 (a)	1,4 (a)	/	/	/	/
1112	600	20 (a)	1,4 (a)	20 (a)	1,4 (a)	/	/	20 (a)	1,4 (a)	20 (a)	1,4 (a)	/	/	/	/
1157	625	20 (a)	1,4 (a)	20 (a)	1,4 (a)	/	/	20 (a)	1,4 (a)	20 (a)	1,4 (a)	/	/	/	/
1202	650	20 (a)	1,4 (a)	20 (a)	1,4 (a)	/	/	20 (a)	1,4 (a)	20 (a)	1,4 (a)	/	/	/	/
1247	675	20 (a)	1,4 (a)	20 (a)	1,4 (a)	/	/	20 (a)	1,4 (a)	20 (a)	1,4 (a)	/	/	/	/
1292	700	20 (a)	1,4 (a)	20 (a)	1,4 (a)	/	/	20 (a)	1,4 (a)	20 (a)	1,4 (a)	/	/	/	/
1337	725	20 (a)	1,4 (a)	20 (a)	1,4 (a)	/	/	20 (a)	1,4 (a)	20 (a)	1,4 (a)	/	/	/	/
1382	750	20 (a)	1,4 (a)	20 (a)	1,3 (a)	/	/	17 (a)	1,2 (a)	20 (a)	1,4 (a)	/	/	/	/
1427	775	20 (a)	1,4 (a)	15 (a)	1 (a)	/	/	12 (a)	0,9(a)	17 (a)	1,2 (a)	/	/	/	/
1472	800	20 (a)	1,2 (a)	11 (a)	0,8 (a)	/	/	11 (a)	0,8	12 (a)	0,9(a)	/	/	/	/
1501	816	20 (a)	1 (a)	10 (a)	0,7 (a)	/	/	10 (a)	0,7 (a)	10 (a)	0,7 (a)	/	/	/	/
Shell test		413,3	28,5	413,3	28,5	435,0	30,0	413,3	28,5	387,2	26,7	435,0	30,0	435,0	30,0
Seat test		303,1	20,9	303,1	20,9	319,0	22,0	303,1	20,9	283,9	19,6	319,0	22,0	319,0	22,0

General Notes:
 Materials shall not be used beyond temperature limits specified in the governing Code.
 (1) Permissible, but not recommended for prolonged usage above about 425°C / 800°F.
 (2) Permissible, but not recommended for prolonged usage above about 470°C / 875°F.
 (3) Permissible, but not recommended for prolonged usage above about 595°C / 1100°F.
 (4) Not to be used over 345°C / 650°F.
 (5) Not to be used over 425°C / 800°F.
 (6) Not to be used over 538°C / 1000°F.
 (7) Not to be used over 595°C / 1103°F.

ORION STEEL VALVES Pressure Temperature Ratings

ASME B16.34 - 2013

Group 3.5		Group 3.8		Group 3.12		Group 3.15		Group 3.17	
				CN3MN (13)		HASTC (6) (13)		CN7M (13)	
						N12MV (6) (13)			
IN600 (13)		IL8825 (13) (6)							
		IN625 (13) (10)							
PSI	BAR	PSI	BAR	PSI	BAR	PSI	BAR	PSI	BAR
290	20	290	20	258	17,8	231	15,9	231	15,9
282,75	19,5	283	19,5	254	17,5	226	15,6	223	15,4
256,65	17,7	257	17,7	236	16,3	210	14,5	196	13,5
229,1	15,8	229	15,8	223	15,4	199	13,7	178	12,3
200,1	13,8	200	13,8	200	13,8	189	13	164	11,3
175,45	12,1	175	12,1	175	12,1	175	12,1	151	10,4
147,9	10,2	148	10,2	148	10,2	148	10,2	141	9,7
134,85	9,3	135	9,3	135	9,3	135	9,3	135	9,3
121,8	8,4	122	8,4	122	8,4	122	8,4	/	/
107,3	7,4	107	7,4	107	7,4	107	7,4	/	/
94,25	6,5	94	6,5	94	6,5	94	6,5	/	/
79,75	5,5	80	5,5	94	6,5	80	5,5	/	/
66,7	4,6	67	4,6	/	/	67	4,6	/	/
53,65	3,7	54	3,7	/	/	54	3,7	/	/
40,6	2,8	41	2,8	/	/	41	2,8	/	/
20,3	1,4	20	1,4	/	/	20	1,4	/	/
20 (a)	1,4 (a)	20 (a)	1,4 (a)	/	/	20 (a)	1,4 (a)	/	/
20 (a)	1,4 (a)	20 (a)	1,4 (a)	/	/	20 (a)	1,4 (a)	/	/
20 (a)	1,4 (a)	20 (a)	1,4 (a)	/	/	20 (a)	1,4 (a)	/	/
20 (a)	1,4 (a)	20 (a)	1,4 (a)	/	/	20 (a)	1,4 (a)	/	/
20 (a)	1,4 (a)	20 (a)	1,4 (a)	/	/	20 (a)	1,4 (a)	/	/
/	/	20 (a)	1,4 (a)	/	/	20 (a)	1,4 (a)	/	/
/	/	20 (a)	1,4 (a)	/	/	20 (a)	1,4 (a)	/	/
/	/	/	/	/	/	20 (a)	1,4 (a)	/	/
/	/	/	/	/	/	20 (a)	1,4 (a)	/	/
/	/	/	/	/	/	20 (a)	1,4 (a)	/	/
/	/	/	/	/	/	20 (a)	1,4 (a)	/	/
435,0	30,0	435,0	30,0	387,2	26,7	345,8	23,9	345,8	23,9
319,0	22,0	319,0	22,0	283,9	19,6	253,6	17,5	253,6	17,5

(8) Not to be used over 315°C / 599°F.

(9) Not to be used over 455°C / 851°F.

(10) Not to be used over 645°C / 1193°F.

(11) At temperatures above 538°C / 1000°F use only when the carbon content is 0.04% or higher.

(12) Use normalized and tempered material only.

(13) Only use solution annealed material.

(14) At temperatures above 538°C, use only if the material is heat treated by heating to a minimum temperature of 1095°F.

(a) Flanged-end valve ratings terminate at 538°C / 1000°F.

ORION STEEL VALVES Pressure Temperature Ratings

ASME B16.34 - 2013

CLASS 300

		Group 1.1		Group 1.2		Group 1.3		Group 1.5		Group 1.7		Group 1.9		Group 1.10	
CAST		WCB(1)		LC2 (4)		WC1 (2) (12)				WC4 (6) (12)		WC6 (7) (12)		WC9 (7) (12)	
				LC3 (4)		LCB (4)				WC5 (12)					
				LCC (4)		LC1 (4)									
				WCC (1)											
FORGED		A105 (1)		A106-C (5)				F1 (2)		F2 (6)		F11-cl2 (3) (12)		F22-cl3 (3)	
		LF2 (1)													
		LF3 (4)													
		GR70 (1)													
TEMP:°F	TEMP:°C	PSI	BAR	PSI	BAR	PSI	BAR	PSI	BAR	PSI	BAR	PSI	BAR	PSI	BAR
-20 to 100	-29 to 38	741	51,1	750	51,7	696	48,0	696	48	750	51,7	750	51,7	750	51,7
122	50	726	50,1	750	51,7	689	47,5	696	48	750	51,7	750	51,7	750	51,7
212	100	676	46,6	747	51,5	657	45,3	695	47,9	747	51,5	747	51,5	747	51,5
302	150	654	45,1	728	50,2	637	43,9	686	47,3	729	50,3	721	49,7	729	50,3
392	200	635	43,8	705	48,6	616	42,5	664	45,8	705	48,6	696	48,0	705	48,6
482	250	608	41,9	671	46,3	592	40,8	645	44,5	671	46,3	671	46,3	671	46,3
572	300	577	39,8	622	42,9	561	38,7	622	42,9	622	42,9	622	42,9	622	42,9
617	325	561	38,7	600	41,4	545	37,6	600	41,4	600	41,4	600	41,4	600	41,4
662	350	545	37,6	580	40,0	528	36,4	584	40,3	584	40,3	584	40,3	584	40,3
707	375	528	36,4	548	37,8	508	35,0	564	38,9	564	38,9	564	38,9	564	38,9
752	400	503	34,7	503	34,7	473	32,6	529	36,5	529	36,5	529	36,5	529	36,5
797	425	418	28,8	418	28,8	396	27,3	510	35,2	510	35,2	510	35,2	510	35,2
842	450	334	23,0	334	23,0	313	21,6	489	33,7	489	33,7	489	33,7	489	33,7
887	475	252	17,4	248	17,1	228	15,7	460	31,7	460	31,7	460	31,7	460	31,7
932	500	171	11,8	168	11,6	161	11,1	349	24,1	387	26,7	373	25,7	409	28,2
1000	538	86	5,9	86	5,9	86	5,9	164	11,3	202	13,9	216	14,9	267	18,4
1022	550	/	/	/	/	/	/	/	/	183	12,6	184	12,7	226	15,6
1067	575	/	/	/	/	/	/	/	/	104	7,2	128	8,8	152	10,5
1112	600	/	/	/	/	/	/	/	/	/	/	88	6,1	100	6,9
1157	625	/	/	/	/	/	/	/	/	/	/	62	4,3	65	4,5
1202	650	/	/	/	/	/	/	/	/	/	/	41	2,8	41	2,8
1247	675	/	/	/	/	/	/	/	/	/	/	/	/	/	/
1292	700	/	/	/	/	/	/	/	/	/	/	/	/	/	/
1337	725	/	/	/	/	/	/	/	/	/	/	/	/	/	/
1382	750	/	/	/	/	/	/	/	/	/	/	/	/	/	/
1427	775	/	/	/	/	/	/	/	/	/	/	/	/	/	/
1472	800	/	/	/	/	/	/	/	/	/	/	/	/	/	/
1501	816	/	/	/	/	/	/	/	/	/	/	/	/	/	/
Shell test		1.111,4	76,7	1.111,4	76,7	1.111,4	76,7	1.111,4	76,7	1.124,5	77,6	1.124,5	77,6	1.124,5	77,6
Seat test		815,1	56,2	824,6	56,9	765,6	52,8	765,6	52,8	824,6	56,9	824,6	56,9	824,6	56,9

General Notes:
 Materials shall not be used beyond temperature limits specified in the governing Code.
 (1) Permissible, but not recommended for prolonged usage above about 425°C / 800°F.
 (2) Permissible, but not recommended for prolonged usage above about 470°C / 875°F.
 (3) Permissible, but not recommended for prolonged usage above about 595°C / 1100°F.
 (4) Not to be used over 345°C / 650°F.
 (5) Not to be used over 425°C / 800°F.
 (6) Not to be used over 538°C / 1000°F.
 (7) Not to be used over 595°C / 1103°F.

ORION STEEL VALVES Pressure Temperature Ratings

ASME B16.34 - 2013

Group 1.13		Group 1.14		Group 1.15		Group 1.17		Group 2.1		Group 2.2		Group 2.3		Group 2.4	
C5 (12)		C12 (12)		C12A				CF8 (11)		CF8M (11)					
								CF10		CG3M (9)					
								CF3 (5)		CG8M (6)					
										CF3M (5)					
F5A		F9				F5		304		316 (11)		304L (5)		321 (6)	
						F12-cl2 (3) (12)		304H (11)		316H		316L		321H (14)	
PSI	BAR	PSI	BAR	PSI	BAR	PSI	BAR	PSI	BAR	PSI	BAR	PSI	BAR	PSI	BAR
750	51,7	750	51,7	750	51,7	750	51,7	719	49,6	719	49,6	600	41,4	719	49,6
750	51,7	750	51,7	750	51,7	747	51,5	693	47,8	697	48,1	580	40	705	48,6
747	51,5	747	51,5	747	51,5	731	50,4	593	40,9	612	42,2	505	34,8	641	44,2
729	50,3	729	50,3	729	50,3	699	48,2	537	37	558	38,5	455	31,4	595	41
705	48,6	705	48,6	705	48,6	671	46,3	500	34,5	518	35,7	423	29,2	555	38,3
671	46,3	671	46,3	671	46,3	650	44,8	471	32,5	484	33,4	399	27,5	522	36
622	42,9	622	42,9	622	42,9	622	42,9	448	30,9	458	31,6	378	26,1	494	34,1
600	41,4	600	41,4	600	41,4	600	41,4	438	30,2	448	30,9	370	25,5	483	33,3
584	40,3	584	40,3	584	40,3	584	40,3	429	29,6	439	30,3	364	25,1	473	32,6
564	38,9	564	38,9	564	38,9	564	38,9	421	29	434	29,9	360	24,8	464	32
529	36,5	529	36,5	529	36,5	529	36,5	412	28,4	426	29,4	352	24,3	458	31,6
510	35,2	510	35,2	510	35,2	510	35,2	406	28	422	29,1	347	23,9	451	31,1
489	33,7	489	33,7	489	33,7	489	33,7	397	27,4	418	28,8	339	23,4	447	30,8
405	27,9	460	31,7	460	31,7	405	27,9	390	26,9	416	28,7	/	/	442	30,5
310	21,4	409	28,2	409	28,2	310	21,4	384	26,5	409	28,2	/	/	409	28,2
199	13,7	254	17,5	365	25,2	199	13,7	354	24,4	365	25,2	/	/	365	25,2
174	12,0	218	15,0	363	25,0	174	12,0	342	23,6	363	25,0	/	/	363	25
129	8,9	152	10,5	348	24,0	128	8,8	302	20,8	348	24,0	/	/	348	24
90	6,2	104	7,2	283	19,5	88	6,1	245	16,9	289	19,9	/	/	294	20,3
58	4,0	73	5,0	212	14,6	58	4,0	200	13,8	229	15,8	/	/	229	15,8
35	2,4	51	3,5	144	9,9	35	2,4	164	11,3	184	12,7	/	/	183	12,6
/	/	/	/	/	/	/	/	135	9,3	149	10,3	/	/	144	9,9
/	/	/	/	/	/	/	/	116	8,0	122	8,4	/	/	115	7,9
/	/	/	/	/	/	/	/	99	6,8	102	7,0	/	/	91	6,3
/	/	/	/	/	/	/	/	84	5,8	86	5,9	/	/	73	5
/	/	/	/	/	/	/	/	67	4,6	67	4,6	/	/	58	4
/	/	/	/	/	/	/	/	51	3,5	51	3,5	/	/	45	3,1
/	/	/	/	/	/	/	/	41	2,8	41	2,8	/	/	38	2,6
1.124,5	77,6	1.124,5	77,6	1.124,5	77,6	1.124,5	77,6	1.078,8	74,4	1.078,8	74,4	1.111,4	76,7	1.078,8	74,4
824,6	56,9	824,6	56,9	824,6	56,9	824,6	56,9	791,1	54,6	791,1	54,6	660,3	45,5	791,1	54,6

(8) Not to be used over 315°C / 599°F.

(9) Not to be used over 455°C / 851°F.

(10) Not to be used over 645°C / 1193°F.

(11) At temperatures above 538°C / 1000°F use only when the carbon content is 0.04% or higher.

(12) Use normalized and tempered material only.

(13) Only use solution annealed material.

(14) At temperatures above 538°C, use only if the material is heat treated by heating to a minimum temperature of 1095°F.

(a) Flanged-end valve ratings terminate at 538°C / 1000°F.

ORION STEEL VALVES Pressure Temperature Ratings

ASME B16.34 - 2013

CLASS 300

		Group 2.5		Group 2.7		Group 2.8		Group 2.11		Group 2.12		Group 3.1		Group 3.4	
CAST		CF8C				CK3MCUN		CF8C (11)		CK20 (11)				M35-1 (13)	
FORGED		347H		310H		F51 (8)						IL20 (13)		M400 (13)	
		347 (6)				F53 (8)									
						F55									
						F44									
TEMP.°F	TEMP.°C	PSI	BAR	PSI	BAR	PSI	BAR	PSI	BAR	PSI	BAR	PSI	BAR	PSI	BAR
-20 to 100	-29 to 38	750	51,7	719	49,6	750	51,7	719	49,6	671	46,3	750	51,7	600	41,4
122	50	741	51,1	703	48,5	750	51,7	708	48,8	645	44,5	750	51,7	583	40,2
212	100	706	48,7	629	43,4	735	50,7	657	45,3	544	37,5	738	50,9	521	35,9
302	150	663	45,7	580	40	666	45,9	616	42,5	506	34,9	709	48,9	489	33,7
392	200	619	42,7	545	37,6	619	42,7	579	39,9	486	33,5	684	47,2	474	32,7
482	250	612	42,2	519	35,8	587	40,5	548	37,8	473	32,6	660	45,5	473	32,6
572	300	552	38,1	500	34,5	564	38,9	523	36,1	460	31,7	622	42,9	473	32,6
617	325	539	37,2	492	33,9	554	38,2	513	35,4	452	31,2	600	41,4	473	32,6
662	350	528	36,4	483	33,3	545	37,6	505	34,8	444	30,6	584	40,3	473	32,6
707	375	519	35,8	477	32,9	542	37,4	496	34,2	432	29,8	564	38,9	470	32,4
752	400	512	35,3	470	32,4	529	36,5	492	33,9	422	29,1	529	36,5	465	32,1
797	425	505	34,8	465	32,1	/	/	487	33,6	410	28,3	510	35,2	458	31,6
842	450	499	34,4	460	31,7	/	/	486	33,5	400	27,6	/	/	3.827	263,9
887	475	494	34,1	452	31,2	/	/	460	31,7	387	26,7	/	/	302	20,8
932	500	489	33,7	409	28,2	/	/	409	28,2	374	25,8	/	/	/	/
1000	538	421	29	365	25,2	/	/	365	25,2	338	23,3	/	/	/	/
1022	550	421	29,0	363	25,0	/	/	363	25	332	22,9	/	/	/	/
1067	575	415	28,6	322	22,2	/	/	348	24	315	21,7	/	/	/	/
1112	600	367	25,3	244	16,8	/	/	287	19,8	281	19,4	/	/	/	/
1157	625	287	19,8	181	12,5	/	/	202	13,9	244	16,8	/	/	/	/
1202	650	229	15,8	136	9,4	/	/	149	10,3	204	14,1	/	/	/	/
1247	675	178	12,3	104	7,2	/	/	116	8	167	11,5	/	/	/	/
1292	700	157	10,8	80	5,5	/	/	81	5,6	128	8,8	/	/	/	/
1337	725	129	8,9	62	4,3	/	/	58	4	91	6,3	/	/	/	/
1382	750	97	6,7	49	3,4	/	/	45	3,1	65	4,5	/	/	/	/
1427	775	73	5,0	39	2,7	/	/	36	2,5	45	3,1	/	/	/	/
1472	800	64	4,4	30	2,1	/	/	29	2	33	2,3	/	/	/	/
1501	816	48	3,3	26	1,8	/	/	28	1,9	28	1,9	/	/	/	/
Shell test		1.124,5	77,6	1.078,8	74,4	1.124,5	77,6	1.078,8	74,4	1.007,0	69,5	1.124,5	77,6	900,5	62,1
Seat test		824,6	56,9	791,1	54,6	824,6	56,9	791,1	54,6	738,5	50,9	824,6	56,9	660,3	45,5

General Notes:
 Materials shall not be used beyond temperature limits specified in the governing Code.
 (1) Permissible, but not recommended for prolonged usage above about 425°C / 800°F.
 (2) Permissible, but not recommended for prolonged usage above about 470°C / 875°F.
 (3) Permissible, but not recommended for prolonged usage above about 595°C / 1100°F.
 (4) Not to be used over 345°C / 650°F.
 (5) Not to be used over 425°C / 800°F.
 (6) Not to be used over 538°C / 1000°F.
 (7) Not to be used over 595°C / 1103°F.

ORION STEEL VALVES Pressure Temperature Ratings

ASME B16.34 - 2013

Group 3.5		Group 3.8		Group 3.12		Group 3.15		Group 3.17	
				CN3MN (13)		HASTC (6) (13)		CN7M (13)	
						N12MV (6) (13)			
IN600 (13)		IL8825 (13) (6)							
		IN625 (13) (10)							
PSI	BAR	PSI	BAR	PSI	BAR	PSI	BAR	PSI	BAR
750	51,7	750	51,7	671	46,3	600	41,4	600	41,4
750	51,7	750	51,7	661	45,6	589	40,6	581	40,1
747	51,5	747	51,5	616	42,5	548	37,8	512	35,3
729	50,3	729	50,3	581	40,1	521	35,9	464	32
705	48,6	700	48,3	541	37,3	492	33,9	426	29,4
671	46,3	671	46,3	506	34,9	468	32,3	394	27,2
622	42,9	622	42,9	480	33,1	445	30,7	368	25,4
600	41,4	600	41,4	468	32,3	436	30,1	354	24,4
584	40,3	584	40,3	458	31,6	426	29,4	/	/
564	38,9	564	38,9	450	31	416	28,7	/	/
529	36,5	529	36,5	441	30,4	410	28,3	/	/
510	35,2	510	35,2	432	29,8	402	27,7	/	/
489	33,7	489	33,7	/	/	394	27,2	/	/
460	31,7	460	31,7	/	/	389	26,8	/	/
409	28,2	409	28,2	/	/	381	26,3	/	/
239	16,5	365	25,2	/	/	365	25,2	/	/
202	13,9	363	25	/	/	363	25	/	/
136	9,4	348	24	/	/	348	24	/	/
96	6,6	313	21,6	/	/	313	21,6	/	/
74	5,1	265	18,3	/	/	265	18,3	/	/
68	4,7	204	14,1	/	/	204	14,1	/	/
/	/	167	11,5	/	/	180	12,4	/	/
/	/	128	8,8	/	/	146	10,1	/	/
/	/	/	/	/	/	115	7,9	/	/
/	/	/	/	/	/	86	5,9	/	/
/	/	/	/	/	/	67	4,6	/	/
/	/	/	/	/	/	51	3,5	/	/
/	/	/	/	/	/	41	2,8	/	/
1.124,5	77,6	1.124,5	77,6	1.007,0	69,5	900,5	62,1	900,5	62,1
824,6	56,9	824,6	56,9	738,5	50,9	660,3	45,5	660,3	45,5

(8) Not to be used over 315°C / 599°F.

(9) Not to be used over 455°C / 851°F.

(10) Not to be used over 645°C / 1193°F.

(11) At temperatures above 538°C / 1000°F use only when the carbon content is 0.04% or higher.

(12) Use normalized and tempered material only.

(13) Only use solution annealed material.

(14) At temperatures above 538°C, use only if the material is heat treated by heating to a minimum temperature of 1095°F.

(a) Flanged-end valve ratings terminate at 538°C / 1000°F.

ORION STEEL VALVES

Pressure Temperature Ratings

ASME B16.34 - 2013

CLASS 600

		Group 1.1		Group 1.2		Group 1.3		Group 1.5		Group 1.7		Group 1.9		Group 1.10	
CAST		WCB(1)		LC2 (4)		WC1 (2) (12)				WC4 (6) (12)		WC6 (7) (12)		WC9 (7) (12)	
				LC3 (4)		LCB (4)				WC5 (12)					
				LCC (4)		LC1 (4)									
				WCC (1)											
FORGED		A105 (1)		A106-C (5)				F1 (2)		F2 (6)		F11-cl2 (3) (12)		F22-cl3 (3)	
		LF2 (1)													
		LF3 (4)													
		GR70 (1)													
TEMP:°F	TEMP:°C	PSI	BAR	PSI	BAR	PSI	BAR	PSI	BAR	PSI	BAR	PSI	BAR	PSI	BAR
-20 to 100	-29 to 38	1.480	102,1	1.499	103,4	1.392	96,0	1.392	96	1.499	103,4	1.499	103,4	1.499	103,4
122	50	1.453	100,2	1.499	103,4	1.376	94,9	1.392	96	1.499	103,4	1.499	103,4	1.499	103,4
212	100	1.351	93,2	1.494	103,0	1.315	90,7	1.391	95,9	1.494	103,0	1.494	103,0	1.494	103,0
302	150	1.308	90,2	1.454	100,3	1.275	87,9	1.373	94,7	1.454	100,3	1.443	99,5	1.454	100,3
392	200	1.270	87,6	1.409	97,2	1.234	85,1	1.328	91,6	1.409	97,2	1.391	95,9	1.409	97,2
482	250	1.217	83,9	1.344	92,7	1.241	85,6	1.291	89,0	1.344	92,7	1.344	92,7	1.344	92,7
572	300	1.154	79,6	1.243	85,7	1.122	77,4	1.243	85,7	1.243	85,7	1.243	85,7	1.243	85,7
617	325	1.122	77,4	1.198	82,6	1.090	75,2	1.198	82,6	1.198	82,6	1.198	82,6	1.198	82,6
662	350	1.089	75,1	1.160	80,0	1.056	72,8	1.166	80,4	1.166	80,4	1.166	80,4	1.166	80,4
707	375	1.054	72,7	1.098	75,7	1.014	69,9	1.125	77,6	1.125	77,6	1.125	77,6	1.125	77,6
752	400	1.006	69,4	1.006	69,4	945	65,2	1.063	73,3	1.063	73,3	1.063	73,3	1.063	73,3
797	425	834	57,5	834	57,5	792	54,6	1.015	70,0	1.015	70,0	1.015	70,0	1.015	70,0
842	450	667	46,0	667	46,0	626	43,2	982	67,7	982	67,7	982	67,7	982	67,7
887	475	506	34,9	496	34,2	454	31,3	919	63,4	919	63,4	919	63,4	919	63,4
932	500	341	23,5	336	23,2	320	22,1	697	48,1	774	53,4	747	51,5	819	56,5
1000	538	171	11,8	171	11,8	171	11,8	329	22,7	405	27,9	432	29,8	535	36,9
1022	550	/	/	/	/	/	/	/	/	365	25,2	368	25,4	454	31,3
1067	575	/	/	/	/	/	/	/	/	209	14,4	255	17,6	306	21,1
1112	600	/	/	/	/	/	/	/	/	/	/	177	12,2	200	13,8
1157	625	/	/	/	/	/	/	/	/	/	/	123	8,5	129	8,9
1202	650	/	/	/	/	/	/	/	/	/	/	83	5,7	83	5,7
1247	675	/	/	/	/	/	/	/	/	/	/	/	/	/	/
1292	700	/	/	/	/	/	/	/	/	/	/	/	/	/	/
1337	725	/	/	/	/	/	/	/	/	/	/	/	/	/	/
1382	750	/	/	/	/	/	/	/	/	/	/	/	/	/	/
1427	775	/	/	/	/	/	/	/	/	/	/	/	/	/	/
1472	800	/	/	/	/	/	/	/	/	/	/	/	/	/	/
1501	816	/	/	/	/	/	/	/	/	/	/	/	/	/	/
Shell test		2.221	153	2.249	155	2.088	144	2.088	144	2.249	155	2.249	155	2.249	155
Seat test		1.628	112	1.649	114	1.531	106	1.531	106	1.649	114	1.649	114	1.649	114

General Notes:
 Materials shall not be used beyond temperature limits specified in the governing Code.
 (1) Permissible, but not recommended for prolonged usage above about 425°C / 800°F.
 (2) Permissible, but not recommended for prolonged usage above about 470°C / 875°F.
 (3) Permissible, but not recommended for prolonged usage above about 595°C / 1100°F.
 (4) Not to be used over 345°C / 650°F.
 (5) Not to be used over 425°C / 800°F.
 (6) Not to be used over 538°C / 1000°F.
 (7) Not to be used over 595°C / 1103°F.

ORION STEEL VALVES Pressure Temperature Ratings

ASME B16.34 - 2013

Group 1.13		Group 1.14		Group 1.15		Group 1.17		Group 2.1		Group 2.2		Group 2.3		Group 2.4	
C5 (12)		C12 (12)		C12A				CF8 (11)		CF8M (11)					
								CF10		CG3M (9)					
								CF3 (5)		CG8M (6)					
										CF3M (5)					
F5A		F9				F5		304		316 (11)		304L (5)		321 (6)	
						F12-cl2 (3) (12)		304H (11)		316H		316L		321H (14)	
PSI	BAR	PSI	BAR	PSI	BAR	PSI	BAR	PSI	BAR	PSI	BAR	PSI	BAR	PSI	BAR
1.499	103,4	1.499,3	103,4	1.499,3	103,4	1.499	103,4	1.440	99,3	1.440	99,3	1.199	82,7	1.440	99,3
1.499	103,4	1.499	103,4	1.499	103,4	1.494	103,0	1.386	95,6	1.395	96,2	1.160	80	1.408	97,1
1.494	103,0	1.494	103,0	1.494	103,0	1.463	100,9	1.185	81,7	1.224	84,4	1.009	69,6	1.283	88,5
1.454	100,3	1.454	100,3	1.454	100,3	1.398	96,4	1.073	74	1.117	77	911	62,8	1.189	82
1.409	97,2	1.409	97,2	1.409	97,2	1.341	92,5	1.001	69	1.034	71,3	845	58,3	1.111	76,6
1.344	92,7	1.344	92,7	1.344	92,7	1.299	89,6	943	65	969	66,8	796	54,9	1.044	72
1.243	85,7	1.243	85,7	1.243	85,7	1.243	85,7	896	61,8	916	63,2	755	52,1	990	68,3
1.198	82,6	1.198	82,6	1.198	82,6	1.198	82,6	876	60,4	896	61,8	740	51	966	66,6
1.166	80,4	1.166	80,4	1.166	80,4	1.166	80,4	860	59,3	880	60,7	726	50,1	945	65,2
1.125	77,6	1.125	77,6	1.125	77,6	1.125	77,6	842	58,1	867	59,8	718	49,5	929	64,1
1.063	73,3	1.063	73,3	1.063	73,3	1.063	73,3	825	56,9	854	58,9	705	48,6	916	63,2
1.015	70,0	1.015	70,0	1.015	70,0	1.015	70,0	812	56	845	58,3	692	47,7	903	62,3
982	67,7	982	67,7	982	67,7	982	67,7	795	54,8	837	57,7	679	46,8	895	61,7
808	55,7	919	63,4	919	63,4	808	55,7	782	53,9	831	57,3	/	/	886	61,1
621	42,8	819	56,5	819	56,5	621	42,8	769	53	819	56,5	/	/	819	56,5
397	27,4	508	35,0	725	50,0	397	27,4	709	48,9	725	50	/	/	725	50
349	24,1	435	30,0	722	49,8	349	24,1	683	47,1	722	49,8	/	/	722	49,8
258	17,8	303	20,9	695	47,9	255	17,6	213	14,7	695	47,9	/	/	695	47,9
181	12,5	209	14,4	566	39,0	175	12,1	490	33,8	577	39,8	/	/	587	40,5
116	8,0	144	9,9	423	29,2	116	8,0	400	27,6	458	31,6	/	/	458	31,6
68	4,7	103	7,1	289	19,9	68	4,7	326	22,5	367	25,3	/	/	367	25,3
/	/	/	/	/	/	/	/	271	18,7	299	20,6	/	/	287	19,8
/	/	/	/	/	/	/	/	233	16,1	244	16,8	/	/	229	15,8
/	/	/	/	/	/	/	/	196	13,5	203	14,0	/	/	184	12,7
/	/	/	/	/	/	/	/	168	11,6	170	11,7	/	/	145	10
/	/	/	/	/	/	/	/	131	9,0	131	9,0	/	/	116	8
/	/	/	/	/	/	/	/	102	7	102	7	/	/	91	6,3
/	/	/	/	/	/	/	/	86	5,9	86	5,9	/	/	75	5,2
2.249	155	2.249	155	2.249	155	2.249	155	2.160	149	2.160	149	1.799	124	2.160	149
1.649	114	1.649	114	1.649	114	1.649	114	1.584	109	1.584	109	1.319	91	1.584	109

(8) Not to be used over 315°C / 599°F.

(9) Not to be used over 455°C / 851°F.

(10) Not to be used over 645°C / 1193°F.

(11) At temperatures above 538°C / 1000°F use only when the carbon content is 0.04% or higher.

(12) Use normalized and tempered material only.

(13) Only use solution annealed material.

(14) At temperatures above 538°C, use only if the material is heat treated by heating to a minimum temperature of 1095°F.

(a) Flanged-end valve ratings terminate at 538°C / 1000°F.

ORION STEEL VALVES

Pressure Temperature Ratings

ASME B16.34 - 2013

CLASS 600

		Group 2.5		Group 2.7		Group 2.8		Group 2.11		Group 2.12		Group 3.1		Group 3.4	
CAST		CF8C				CK3MCUN		CF8C (11)		CK20 (11)				M35-1 (13)	
FORGED		347H		310H		F51 (8)						IL20 (13)		M400 (13)	
		347 (6)				F53 (8)									
						F55									
						F44									
TEMP.°F	TEMP.°C	PSI	BAR	PSI	BAR	PSI	BAR	PSI	BAR	PSI	BAR	PSI	BAR	PSI	BAR
-20 to 100	-29 to 38	1.440	99,3	1.440	99,3	1.499	103,4	1.440	99,3	1.344	92,7	1.499	103,4	1.199	82,7
122	50	1.414	97,5	1.402	96,7	1.499	103,4	1.414	97,5	1.291	89,0	1.499	103,4	1.167	80,5
212	100	1.314	90,6	1.259	86,8	1.469	101,3	1.314	90,6	1.089	75,1	1.475	101,7	1.043	71,9
302	150	1.231	84,9	1.160	80	1.333	91,9	1.231	84,9	1.012	69,8	1.420	97,9	979	67,5
392	200	1.159	79,9	1.090	75,2	1.237	85,3	1.159	79,9	973	67,1	1.367	94,3	948	65,4
482	250	1.096	75,6	1.037	71,5	1.173	80,9	1.096	75,6	945	65,2	1.320	91,0	945	65,2
572	300	1.047	72,2	999	68,9	1.127	77,7	1.047	72,2	919	63,4	1.243	85,7	945	65,2
617	325	1.025	70,7	982	67,7	1.106	76,3	1.025	70,7	905	62,4	1.198	82,6	945	65,2
662	350	1.008	69,5	966	66,6	1.092	75,3	1.008	69,5	887	61,2	1.166	80,4	944	65,1
707	375	992	68,4	953	65,7	1.083	74,7	992	68,4	866	59,7	1.125	77,6	940	64,8
752	400	983	67,8	940	64,8	1.063	73,3	983	67,8	844	58,2	1.063	73,3	931	64,2
797	425	974	67,2	931	64,2	/	/	974	67,2	822	56,7	1.015	70,0	918	63,3
842	450	970	66,9	919	63,4	/	/	970	66,9	800	55,2	/	/	780	53,8
887	475	919	63,4	906	62,5	/	/	919	63,4	776	53,5	/	/	602	41,5
932	500	819	56,5	819	56,5	/	/	819	56,5	750	51,7	/	/	/	/
1000	538	725	50	725	50	/	/	725	50	676	46,6	/	/	/	/
1022	550	722	49,8	722	49,8	/	/	722	49,8	666	45,9	/	/	/	/
1067	575	695	47,9	644	44,4	/	/	695	47,9	628	43,3	/	/	/	/
1112	600	622	42,9	486	33,5	/	/	574	39,6	563	38,8	/	/	/	/
1157	625	531	36,6	363	25,0	/	/	402	27,7	489	33,7	/	/	/	/
1202	650	393	27,1	271	18,7	/	/	299	20,6	407	28,1	/	/	/	/
1247	675	365	25,2	210	14,5	/	/	231	15,9	334	23	/	/	/	/
1292	700	290	20,0	160	11,0	/	/	162	11,2	254	17,5	/	/	/	/
1337	725	223	15,4	126	8,7	/	/	116	8	184	12,7	/	/	/	/
1382	750	170	11,7	99	6,8	/	/	90	6,2	129	8,9	/	/	/	/
1427	775	131	9,0	77	5,3	/	/	71	4,9	91	6,3	/	/	/	/
1472	800	102	7	59	4,1	/	/	58	4	67	4,6	/	/	/	/
1501	816	86	5,9	51	3,5	/	/	55	3,8	55	3,8	/	/	/	/
Shell test		2.160	149	2.160	149	2.249	155	2.160	149	2.016	139	2.249	155	1.799	124
Seat test		1.584	109	1.584	109	1.649	114	1.584	109	1.479	102	1.649	114	1.319	91

General Notes:
 Materials shall not be used beyond temperature limits specified in the governing Code.
 (1) Permissible, but not recommended for prolonged usage above about 425°C / 800°F.
 (2) Permissible, but not recommended for prolonged usage above about 470°C / 875°F.
 (3) Permissible, but not recommended for prolonged usage above about 595°C / 1100°F.
 (4) Not to be used over 345°C / 650°F.
 (5) Not to be used over 425°C / 800°F.
 (6) Not to be used over 538°C / 1000°F.
 (7) Not to be used over 595°C / 1103°F.

ORION STEEL VALVES Pressure Temperature Ratings

ASME B16.34 - 2013

Group 3.5		Group 3.8		Group 3.12		Group 3.15		Group 3.17	
				CN3MN (13)		HASTC (6) (13)		CN7M (13)	
						N12MV (6) (13)			
IN600 (13)		IL8825 (13) (6)							
		IN625 (13) (10)							
PSI	BAR	PSI	BAR	PSI	BAR	PSI	BAR	PSI	BAR
1.499	103,4	1499	103,4	1.344	92,7	1.199	82,7	1.199	82,7
1.499	103,4	1499	103,4	1.321	91,1	1.179	81,3	1.164	80,3
1.494	103,0	1494	103,0	1.234	85,1	1.096	75,6	1.024	70,6
1.454	100,3	1454	100,3	1.164	80,3	1.040	71,7	929	64,1
1.409	97,2	1402	96,7	1.082	74,6	985	67,9	851	58,7
1.344	92,7	1344	92,7	1.012	69,8	935	64,5	789	54,4
1.243	85,7	1243	85,7	960	66,2	892	61,5	737	50,8
1.198	82,6	1198	82,6	937	64,6	871	60,1	708	48,8
1.166	80,4	1166	80,4	916	63,2	853	58,8	/	/
1.125	77,6	1125	77,6	899	62	832	57,4	/	/
1.063	73,3	1063	73,3	882	60,8	819	56,5	/	/
1.015	70,0	1015	70,0	866	59,7	802	55,3	/	/
982	67,7	982	67,7	/	/	789	54,4	/	/
919	63,4	919	63,4	/	/	776	53,5	/	/
819	56,5	819	56,5	/	/	763	52,6	/	/
480	33,1	725	50,0	/	/	725	50	/	/
405	27,9	722	49,8	/	/	722	49,8	/	/
274	18,9	695	47,9	/	/	695	47,9	/	/
193	13,3	622	42,9	/	/	622	42,9	/	/
149	10,3	531	36,6	/	/	531	36,6	/	/
138	9,5	407	28,1	/	/	407	28,1	/	/
/	/	334	23	/	/	365	25,2	/	/
/	/	254	17,5	/	/	290	20	/	/
/	/	/	/	/	/	223	15,4	/	/
/	/	/	/	/	/	170	11,7	/	/
/	/	/	/	/	/	131	9	/	/
/	/	/	/	/	/	102	7	/	/
/	/	/	/	/	/	86	5,9	/	/
2.249	155	2.249	155	2.016	139	1.799	124	1.799	124
1.649	114	1.649	114	1.479	102	1.319	91	1.319	91

(8) Not to be used over 315°C / 599°F.

(9) Not to be used over 455°C / 851°F.

(10) Not to be used over 645°C / 1193°F.

(11) At temperatures above 538°C / 1000°F use only when the carbon content is 0.04% or higher.

(12) Use normalized and tempered material only.

(13) Only use solution annealed material.

(14) At temperatures above 538°C, use only if the material is heat treated by heating to a minimum temperature of 1095°F.

(a) Flanged-end valve ratings terminate at 538°C / 1000°F.

ORION STEEL VALVES

Pressure Temperature Ratings

ASME B16.34 - 2013

CLASS 900

		Group 1.1		Group 1.2		Group 1.3		Group 1.5		Group 1.7		Group 1.9		Group 1.10	
CAST		WCB(1)		LC2 (4)		WC1 (2) (12)				WC4 (6) (12)		WC6 (7) (12)		WC9 (7) (12)	
				LC3 (4)		LCB (4)				WC5 (12)					
				LCC (4)		LC1 (4)									
				WCC (1)											
FORGED		A105 (1)		A106-C (5)				F1 (2)		F2 (6)		F11-cl2 (3) (12)		F22-cl3 (3)	
		LF2 (1)													
		LF3 (4)													
		GR70 (1)													
TEMP.°F	TEMP.°C	PSI	BAR	PSI	BAR	PSI	BAR	PSI	BAR	PSI	BAR	PSI	BAR	PSI	BAR
-20 to 100	-29 to 38	2.221	153,2	2.249	155,1	2.089	144,1	2.089	144,1	2.249	155,1	2.249	155,1	2.249	155,1
122	50	2.181	150,4	2.249	155,1	2.065	142,4	2.089	144,1	2.249	155,1	2.249	155,1	2.249	155,1
212	100	2.027	139,8	2.242	154,6	1.972	136,0	2.085	143,8	2.242	154,6	2.239	154,4	2.242	154,6
302	150	1.960	135,2	2.182	150,5	1.911	131,8	2.059	142,0	2.184	150,6	2.163	149,2	2.189	151,0
392	200	1.905	131,4	2.114	145,8	1.850	127,6	1.992	137,4	2.114	145,8	2.087	143,9	2.114	145,8
482	250	1.824	125,8	2.016	139,0	1.773	122,3	1.936	133,5	2.016	139,0	2.016	139,0	2.016	139,0
572	300	1.733	119,5	1.865	128,6	1.683	116,1	1.865	128,6	1.865	128,6	1.865	128,6	1.865	128,6
617	325	1.683	116,1	1.798	124,0	1.634	112,7	1.798	124,0	1.798	124,0	1.798	124,0	1.798	124,0
662	350	1.634	112,7	1.741	120,1	1.583	109,2	1.750	120,7	1.750	120,7	1.750	120,7	1.750	120,7
707	375	1.582	109,1	1.646	113,5	1.521	104,9	1.689	116,5	1.689	116,5	1.689	116,5	1.689	116,5
752	400	1.511	104,2	1.511	104,2	1.420	97,9	1.592	109,8	1.592	109,8	1.592	109,8	1.592	109,8
797	425	1.251	86,3	1.251	86,3	1.188	81,9	1.524	105,1	1.524	105,1	1.524	105,1	1.524	105,1
842	450	1.001	69,0	1.001	69,0	940	64,8	1.470	101,4	1.470	101,4	1.379	101,4	1.470	101,4
887	475	758	52,3	744	51,3	682	47,0	1.379	95,1	1.379	95,1	1.119	95,1	1.379	95,1
932	500	512	35,3	503	34,7	481	33,2	1.047	72,2	1.161	80,1	648	77,2	1.228	84,7
1000	538	257	17,7	257	17,7	257	17,7	493	34,0	606	41,8	552	44,7	802	55,3
1022	550	/	/	/	/	/	/	/	/	548	37,8	383	38,1	680	46,9
1067	575	/	/	/	/	/	/	/	/	312	21,5	265	26,4	458	31,6
1112	600	/	/	/	/	/	/	/	/	/	/	186	18,3	300	20,7
1157	625	/	/	/	/	/	/	/	/	/	/	123	12,8	194	13,4
1202	650	/	/	/	/	/	/	/	/	/	/	123	8,5	123	8,5
1247	675	/	/	/	/	/	/	/	/	/	/	/	/	/	/
1292	700	/	/	/	/	/	/	/	/	/	/	/	/	/	/
1337	725	/	/	/	/	/	/	/	/	/	/	/	/	/	/
1382	750	/	/	/	/	/	/	/	/	/	/	/	/	/	/
1427	775	/	/	/	/	/	/	/	/	/	/	/	/	/	/
1472	800	/	/	/	/	/	/	/	/	/	/	/	/	/	/
1501	816	/	/	/	/	/	/	/	/	/	/	/	/	/	/
Shell test		3.332	230	3.373	233	3.134	216	3.134	216	3.373	233	3.373	233	3.373	233
Seat test		2.444	169	2.474	171	2.298	159	2.298	159	2.474	171	2.474	171	2.474	171

General Notes:
 Materials shall not be used beyond temperature limits specified in the governing Code.
 (1) Permissible, but not recommended for prolonged usage above about 425°C / 800°F.
 (2) Permissible, but not recommended for prolonged usage above about 470°C / 875°F.
 (3) Permissible, but not recommended for prolonged usage above about 595°C / 1100°F.
 (4) Not to be used over 345°C / 650°F.
 (5) Not to be used over 425°C / 800°F.
 (6) Not to be used over 538°C / 1000°F.
 (7) Not to be used over 595°C / 1103°F.

ORION STEEL VALVES Pressure Temperature Ratings

ASME B16.34 - 2013

Group 1.13		Group 1.14		Group 1.15		Group 1.17		Group 2.1		Group 2.2		Group 2.3		Group 2.4	
C5 (12)		C12 (12)		C12A				CF8 (11)		CF8M (11)					
								CF10		CG3M (9)					
								CF3 (5)		CG8M (6)					
										CF3M (5)					
F5A		F9				F5		304		316 (11)		304L (5)		321 (6)	
						F12-cl2 (3) (12)		304H (11)		316H		316L		321H (14)	
PSI	BAR	PSI	BAR	PSI	BAR	PSI	BAR	PSI	BAR	PSI	BAR	PSI	BAR	PSI	BAR
2.249	155,1	2.249	155,1	2.249	155,1	2.249	155,1	2.159	148,9	2.159	148,9	1.799	124,1	2.159	148,9
2.249	155,1	2.249	155,1	2.249	155,1	2.240	154,5	2.081	143,5	2.092	144,3	1.741	120,1	2.113	145,7
2.242	154,6	2.242	154,6	2.242	154,6	2.194	151,3	1.778	122,6	1.836	126,6	1.514	104,4	1.924	132,7
2.184	150,6	2.184	150,6	2.184	150,6	2.095	144,5	1.610	111	1.675	115,5	1.366	94,2	1.782	122,9
2.114	145,8	2.114	145,8	2.114	145,8	2.013	138,8	1.499	103,4	1.552	107	1.269	87,5	1.666	114,9
2.016	139,0	2.016	139,0	2.016	139,0	1.950	134,5	1.414	97,5	1.451	100,1	1.195	82,4	1.567	108,1
1.865	128,6	1.865	128,6	1.865	128,6	1.865	128,6	1.344	92,7	1.376	94,9	1.134	78,2	1.485	102,4
1.798	124,0	1.798	124,0	1.798	124,0	1.798	124,0	1.315	90,7	1.344	92,7	1.108	76,4	1.449	99,9
1.750	120,7	1.750	120,7	1.750	120,7	1.750	120,7	1.289	88,9	1.320	91	1.090	75,2	1.418	97,8
1.689	116,5	1.689	116,5	1.689	116,5	2.414	166,5	1.263	87,1	1.299	89,6	1.077	74,3	1.393	96,1
1.592	109,8	1.592	109,8	1.592	109,8	1.592	109,8	1.237	85,3	1.280	88,3	1.057	72,9	1.375	94,8
1.524	105,1	1.524	105,1	1.524	105,1	1.524	105,1	1.218	84	1.267	87,4	1.038	71,6	1.354	93,4
1.470	101,4	1.470	101,4	1.470	101,4	1.470	101,4	1.192	82,2	1.254	86,5	1.018	70,2	1.341	92,5
1.212	83,6	1.379	95,1	1.379	95,1	1.212	83,6	1.172	80,8	1.247	86	/	/	1.328	91,6
929	64,1	1.228	84,7	1.228	84,7	929	64,1	1.153	79,5	1.228	84,7	/	/	1.228	84,7
596	41,1	761	52,5	1.090	75,2	596	41,1	1.063	73,3	1.090	75,2	/	/	1.090	75,2
523	36,1	653	45,0	1.085	74,8	523	36,1	1.025	70,7	1.085	74,8	/	/	1.085	74,8
387	26,7	455	31,4	1.041	71,8	383	26,4	906	62,5	1.041	71,8	/	/	1.041	71,8
271	18,7	312	21,5	848	58,5	264	18,2	734	50,6	866	59,7	/	/	882	60,8
174	12	216	14,9	635	43,8	174	12,0	600	41,4	687	47,4	/	/	687	47,4
103	7,1	154	10,6	432	29,8	103	7,1	490	33,8	551	38,0	/	/	550	37,9
/	/	/	/	/	/	/	/	406	28,0	450	31,0	/	/	429	29,6
/	/	/	/	/	/	/	/	349	24,1	364	25,1	/	/	344	23,7
/	/	/	/	/	/	/	/	294	20,3	305	21,0	/	/	276	19
/	/	/	/	/	/	/	/	251	17,3	255	17,6	/	/	218	15
/	/	/	/	/	/	/	/	199	13,7	199	13,7	/	/	173	11,9
/	/	/	/	/	/	/	/	152	10,5	152	10,5	/	/	136	9,4
/	/	/	/	/	/	/	/	125	8,6	125	8,6	/	/	113	7,8
3.373	233	3.373	233	3.373	233	3.373	233	3.239	223	3.239	223	2.699	186	3.239	223
2.474	171	2.474	171	2.474	171	2.474	171	2.375	164	2.375	164	1.979	137	2.375	164

(8) Not to be used over 315°C / 599°F.

(9) Not to be used over 455°C / 851°F.

(10) Not to be used over 645°C / 1193°F.

(11) At temperatures above 538°C / 1000°F use only when the carbon content is 0.04% or higher.

(12) Use normalized and tempered material only.

(13) Only use solution annealed material.

(14) At temperatures above 538°C, use only if the material is heat treated by heating to a minimum temperature of 1095°F.

(a) Flanged-end valve ratings terminate at 538°C / 1000°F.

ORION STEEL VALVES Pressure Temperature Ratings

ASME B16.34 - 2013

CLASS 900

		Group 2.5		Group 2.7		Group 2.8		Group 2.11		Group 2.12		Group 3.1		Group 3.4	
CAST		CF8C				CK3MCUN		CF8C (11)		CK20 (11)				M35-1 (13)	
FORGED		347H		310H		F51 (8)						IL20 (13)		M400 (13)	
		347 (6)				F53 (8)									
						F55									
						F44									
TEMP.°F	TEMP.°C	PSI	BAR	PSI	BAR	PSI	BAR	PSI	BAR	PSI	BAR	PSI	BAR	PSI	BAR
-20 to 100	-29 to 38	2.159	148,9	3.599	248,2	2.249	155,1	2.159	148,9	2.016	139	2.249	155,1	1.799	124,1
122	50	2.121	146,3	3.506	241,8	2.249	155,1	2.121	146,3	1.934	133,4	2.249	155,1	1.750	120,7
212	100	1.971	135,9	3.147	217	2.204	152	1.971	135,9	1.633	112,6	2.204	152	1.563	107,8
302	150	1.847	127,4	2.900	200	1.998	137,8	1.847	127,4	1.518	104,7	2.129	146,8	1.467	101,2
392	200	1.737	119,8	2.726	188	1.856	128	1.737	119,8	1.459	100,6	2.052	141,5	1.422	98,1
482	250	1.644	113,4	2.593	178,8	1.760	121,4	1.644	113,4	1.418	97,8	1.979	136,5	1.418	97,8
572	300	1.570	108,3	2.498	172,3	1.691	116,6	1.570	108,3	1.380	95,2	1.865	128,6	1.418	97,8
617	325	1.538	106,1	2.455	169,3	1.660	114,5	1.538	106,1	1.357	93,6	1.798	124	1.418	97,8
662	350	1.512	104,3	2.414	166,5	1.637	112,9	1.512	104,3	1.330	91,7	1.750	120,7	1.417	97,7
707	375	1.488	102,6	2.382	164,3	1.625	112,1	1.488	102,6	1.298	89,5	1.689	116,5	1.409	97,2
752	400	1.475	101,7	2.350	162,1	1.592	109,8	1.475	101,7	1.266	87,3	1.592	109,8	1.395	96,2
797	425	1.462	100,8	2.329	160,6	/	/	1.462	100,8	1.233	85	1.524	105,1	1.376	94,9
842	450	1.456	100,4	2.297	158,4	/	/	1.456	100,4	1.201	82,8	/	/	1.170	80,7
887	475	1.379	95,1	2.395	165,2	/	/	1.379	95,1	1.163	80,2	/	/	903	62,3
932	500	1.228	84,7	2.043	140,9	/	/	1.228	84,7	1.124	77,5	/	/	/	/
1000	538	1.090	75,2	1.820	125,5	/	/	1.090	75,2	1.015	70	/	/	/	/
1022	550	1.085	74,8	1.811	124,9	/	/	1.085	74,8	998	68,8	/	/	/	/
1067	575	1.041	71,8	1.608	110,9	/	/	1.041	71,8	943	65	/	/	/	/
1112	600	931	64,2	1.217	83,9	/	/	861	59,4	844	58,2	/	/	/	/
1157	625	796	54,9	906	62,5	/	/	603	41,6	732	50,5	/	/	/	/
1202	650	616	42,5	679	46,8	/	/	448	30,9	612	42,2	/	/	/	/
1247	675	545	37,6	525	36,2	/	/	345	23,8	502	34,6	/	/	/	/
1292	700	432	29,8	399	27,5	/	/	244	16,8	381	26,3	/	/	/	/
1337	725	336	23,2	313	21,6	/	/	173	11,9	276	19	/	/	/	/
1382	750	255	17,6	248	17,1	/	/	135	9,3	194	13,4	/	/	/	/
1427	775	199	13,7	193	13,3	/	/	107	7,4	136	9,4	/	/	/	/
1472	800	152	10,5	149	10,3	/	/	88	6,1	100	6,9	/	/	/	/
1501	816	125	8,6	129	8,9	/	/	83	5,7	83	5,7	/	/	/	/
Shell test		3.239	223	5.398	372	3.373	233	3.239	223	3.023	209	3.373	233	2.699	186
Seat test		2375	164	3.959	273	2.474	171	2.375	164	2.217	153	2.474	171	1.979	137

General Notes:

- Materials shall not be used beyond temperature limits specified in the governing Code.
- (1) Permissible, but not recommended for prolonged usage above about 425°C / 800°F.
- (2) Permissible, but not recommended for prolonged usage above about 470°C / 875°F.
- (3) Permissible, but not recommended for prolonged usage above about 595°C / 1100°F.
- (4) Not to be used over 345°C / 650°F.
- (5) Not to be used over 425°C / 800°F.
- (6) Not to be used over 538°C / 1000°F.
- (7) Not to be used over 595°C / 1103°F.

ORION STEEL VALVES Pressure Temperature Ratings

ASME B16.34 - 2013

Group 3.5		Group 3.8		Group 3.12		Group 3.15		Group 3.17	
				CN3MN (13)		HASTC (6) (13)		CN7M (13)	
						N12MV (6) (13)			
IN600 (13)		IL8825 (13) (6)							
		IN625 (13) (10)							
PSI	BAR	PSI	BAR	PSI	BAR	PSI	BAR	PSI	BAR
2.249	155,1	2.249	155,1	2.016	139	1.799	124,1	1.799	124,1
2.249	155,1	2.249	155,1	1.982	136,7	1.768	121,9	1.746	120,4
2.242	154,6	2.242	154,6	1.850	127,6	1.644	113,4	1.536	105,9
2.184	150,6	2.184	150,6	1.746	120,4	1.560	107,6	1.393	96,1
2.114	145,8	2.103	145	1.624	112	1.476	101,8	1.277	88,1
2.016	139	2.016	139	1.518	104,7	1.404	96,8	1.185	81,7
1.865	128,6	1.865	128,6	1.440	99,3	1.337	92,2	1.103	76,1
1.798	124	1.798	124	1.407	97	1.308	90,2	1.063	73,3
1.750	120,7	1.750	120,7	1.375	94,8	1.280	88,3	/	/
1.689	116,5	1.689	116,5	1.349	93	1.250	86,2	/	/
1.592	109,8	1.592	109,8	1.324	91,3	1.230	84,8	/	/
1.524	105,1	1.524	105,1	1.298	89,5	1.204	83	/	/
1.470	101,4	1.470	101,4	/	/	1.185	81,7	/	/
1.379	95,1	1.379	95,1	/	/	1.164	80,3	/	/
1.228	84,7	1.228	84,7	/	/	1.146	79	/	/
719	49,6	1.090	75,2	/	/	1.090	75,2	/	/
606	41,8	1.085	74,8	/	/	1.085	74,8	/	/
410	28,3	931	64,2	/	/	1.041	71,8	/	/
289	19,9	796	54,9	/	/	931	64,2	/	/
223	15,4	612	42,2	/	/	796	54,9	/	/
203	14	502	34,6	/	/	616	42,5	/	/
/	/	381	26,3	/	/	545	37,6	/	/
/	/	/	/	/	/	432	29,8	/	/
/	/	/	/	/	/	336	23,2	/	/
/	/	/	/	/	/	255	17,6	/	/
/	/	/	/	/	/	199	13,7	/	/
/	/	/	/	/	/	152	10,5	/	/
/	/	/	/	/	/	125	8,6	/	/
3.373	233	3.373	233	3.023	209	2.699	186	2.699	186
2.474	171	2.474	171	2.217	153	1.979	137	1.979	137

(8) Not to be used over 315°C / 599°F.

(9) Not to be used over 455°C / 851°F.

(10) Not to be used over 645°C / 1193°F.

(11) At temperatures above 538°C / 1000°F use only when the carbon content is 0.04% or higher.

(12) Use normalized and tempered material only.

(13) Only use solution annealed material.

(14) At temperatures above 538°C, use only if the material is heat treated by heating to a minimum temperature of 1095°F.

(a) Flanged-end valve ratings terminate at 538°C / 1000°F.

ORION STEEL VALVES Pressure Temperature Ratings

ASME B16.34 - 2013

CLASS 1500

		Group 1.1		Group 1.2		Group 1.3		Group 1.5		Group 1.7		Group 1.9		Group 1.10	
CAST		WCB(1)		LC2 (4)		WC1 (2) (12)				WC4 (6) (12)		WC6 (7) (12)		WC9 (7) (12)	
				LC3 (4)		LCB (4)				WC5 (12)					
				LCC (4)		LC1 (4)									
				WCC (1)											
FORGED		A105 (1)		A106-C (5)				F1 (2)		F2 (6)		F11-cl2 (3) (12)		F22-cl3 (3)	
		LF2 (1)													
		LF3 (4)													
		GR70 (1)													
TEMP.°F	TEMP.°C	PSI	BAR	PSI	BAR	PSI	BAR	PSI	BAR	PSI	BAR	PSI	BAR	PSI	BAR
-20 to 100	-29 to 38	3.702	255,3	3.750	258,6	3.481	240,1	3.481	240,1	3.750	258,6	3.750	258,6	3.750	258,6
122	50	3.634	250,6	3.750	258,6	3.441	237,3	3.481	240,1	3.750	258,6	3.750	258,6	3.750	258,6
212	100	3.379	233,0	3.735	257,6	3.287	226,7	3.476	239,7	3.735	257,6	3.732	257,4	3.735	257,6
302	150	3.268	225,4	3.637	250,8	3.186	219,7	3.432	236,7	3.637	250,8	3.606	248,7	3.637	250,8
392	200	3.176	219,0	3.526	243,2	3.084	212,7	3.321	229,0	3.529	243,4	3.477	239,8	3.529	243,4
482	250	3.041	209,7	3.361	231,8	2.957	203,9	3.226	222,5	3.361	231,8	3.361	231,8	3.361	231,8
572	300	2.887	199,1	3.109	214,4	2.804	193,4	3.109	214,4	3.109	214,4	3.109	214,4	3.109	214,4
617	325	2.807	193,6	2.996	206,6	2.725	187,9	2.996	206,6	2.996	206,6	2.996	206,6	2.996	206,6
662	350	2.723	187,8	2.901	200,1	2.639	182,0	2.916	201,1	2.916	201,1	2.916	201,1	2.916	201,1
707	375	2.636	181,8	2.743	189,2	2.536	174,9	2.814	194,1	2.814	194,1	2.814	194,1	2.814	194,1
752	400	2.517	173,6	2.517	173,6	2.365	163,1	2.655	183,1	2.655	183,1	2.655	183,1	2.655	183,1
797	425	2.085	143,8	2.085	143,8	1.979	136,5	2.539	175,1	2.539	175,1	2.539	175,1	2.539	175,1
842	450	1.668	115,0	1.668	115,0	1.565	107,9	2.451	169,0	2.451	169,0	2.451	169,0	2.451	169,0
887	475	1.264	87,2	1.238	85,4	1.135	78,3	2.294	158,2	2.294	158,2	2.294	158,2	2.294	158,2
932	500	853	58,8	840	57,9	803	55,4	1.744	120,3	1.934	133,4	1.865	128,6	2.043	140,9
1000	538	428	29,5	428	29,5	428	29,5	822	56,7	1.011	69,7	1080	74,5	1.337	92,2
1022	550	/	/	/	/	/	/	/	/	914	63,0	921	63,5	1.134	78,2
1067	575	/	/	/	/	/	/	/	/	521	35,9	638	44,0	763	52,6
1112	600	/	/	/	/	/	/	/	/	/	/	442	30,5	499	34,4
1157	625	/	/	/	/	/	/	/	/	/	/	309	21,3	323	22,3
1202	650	/	/	/	/	/	/	/	/	/	/	206	14,2	206	14,2
1247	675	/	/	/	/	/	/	/	/	/	/	/	/	/	/
1292	700	/	/	/	/	/	/	/	/	/	/	/	/	/	/
1337	725	/	/	/	/	/	/	/	/	/	/	/	/	/	/
1382	750	/	/	/	/	/	/	/	/	/	/	/	/	/	/
1427	775	/	/	/	/	/	/	/	/	/	/	/	/	/	/
1472	800	/	/	/	/	/	/	/	/	/	/	/	/	/	/
1501	816	/	/	/	/	/	/	/	/	/	/	/	/	/	/
Shell test		5.552,8	383,0	5.624,6	387,9	5.222,2	360,2	5.222,2	360,2	5.624,6	387,9	5.624,6	387,9	5.624,6	387,9
Seat test		4.072,0	280,8	4.124,7	284,5	3.829,6	264,1	3.829,6	264,1	4.124,7	284,5	4.124,7	284,5	4.124,7	284,5

General Notes:

- Materials shall not be used beyond temperature limits specified in the governing Code.
- (1) Permissible, but not recommended for prolonged usage above about 425°C / 800°F.
- (2) Permissible, but not recommended for prolonged usage above about 470°C / 875°F.
- (3) Permissible, but not recommended for prolonged usage above about 595°C / 1100°F.
- (4) Not to be used over 345°C / 650°F.
- (5) Not to be used over 425°C / 800°F.
- (6) Not to be used over 538°C / 1000°F.
- (7) Not to be used over 595°C / 1103°F.

ORION STEEL VALVES Pressure Temperature Ratings

ASME B16.34 - 2013

Group 1.13		Group 1.14		Group 1.15		Group 1.17		Group 2.1		Group 2.2		Group 2.3		Group 2.4	
C5 (12)		C12 (12)		C12A				CF8 (11)		CF8M (11)					
								CF10		CG3M (9)					
								CF3 (5)		CG8M (6)					
								CF3M (5)							
F5A		F9				F5		304		316 (11)		304L (5)		321 (6)	
						F12-cl2 (3) (12)		304H (11)		316H		316L		321H (14)	
PSI	BAR	PSI	BAR	PSI	BAR	PSI	BAR	PSI	BAR	PSI	BAR	PSI	BAR	PSI	BAR
3.750	258,6	3.750	258,6	3.750	258,6	3.750	258,6	3.599	248,2	3.599	248,2	2.999	206,8	3.599	248,2
3.750	258,6	3.750	258,6	3.750	258,6	3.734	257,5	3.467	239,1	3.489	240,6	2.901	200,1	3.521	242,8
3.735	257,6	3.735	257,6	3.735	257,6	3.657	252,2	2.962	204,3	3.060	211	2.522	173,9	3.207	221,2
3.637	250,8	3.637	250,8	3.637	250,8	3.493	240,9	2.683	185	2.791	192,5	2.277	157	2.971	204,9
3.529	243,4	3.529	243,4	3.529	243,4	3.354	231,3	2.500	172,4	2.585	178,3	2.114	145,8	2.777	191,5
3.361	231,8	3.361	231,8	3.361	231,8	3.249	224,1	2.355	162,4	2.420	166,9	1.991	137,3	2.611	180,1
3.109	214,4	3.109	214,4	3.109	214,4	3.109	214,4	2.242	154,6	2.292	158,1	1.889	130,3	2.475	170,7
2.996	206,6	2.996	206,6	2.996	206,6	2.996	206,6	2.191	151,1	2.239	154,4	1.847	127,4	2.414	166,5
2.916	201,1	2.916	201,1	2.916	201,1	2.916	201,1	2.147	148,1	2.198	151,6	1.818	125,4	2.364	163
2.814	194,1	2.814	194,1	2.814	194,1	2.814	194,1	2.105	145,2	2.166	149,4	1.795	123,8	2.323	160,2
2.655	183,1	2.655	183,1	2.655	183,1	2.655	183,1	2.062	142,2	2.134	147,2	1.762	121,5	2.290	157,9
2.539	175,1	2.539	175,1	2.539	175,1	2.539	175,1	2.030	140	2.113	145,7	1.730	119,3	2.258	155,7
2.451	169,0	2.451	169,0	2.451	169,0	2.451	169,0	1.987	137	2.091	144,2	1.698	117,1	2.236	154,2
2.020	139,3	2.294	158,2	2.294	158,2	2.020	139,3	1.953	134,7	2.079	143,4	/	/	2.214	152,7
1.550	106,9	2.043	140,9	2.043	140,9	1.550	106,9	1.920	132,4	2.043	140,9	/	/	2.043	140,9
995	68,6	1.269	87,5	1.820	125,5	995	68,6	1.770	122,1	1.820	125,5	/	/	1.820	125,5
873	60,2	1.088	75,0	1.811	124,9	873	60,2	1.708	117,8	1.811	124,9	/	/	1.811	124,9
644	44,4	758	52,3	1.736	119,7	638	44,0	1.511	104,2	1.736	119,7	/	/	1.736	119,7
452	31,2	521	35,9	1.414	97,5	439	30,3	1.224	84,4	1.385	95,5	/	/	1.469	101,3
290	20	360	24,8	1.059	73	290	20,0	999	68,9	1.147	79,1	/	/	1.147	79,1
171	11,8	257	17,7	719	49,6	171	11,8	816	56,3	918	63,3	/	/	916	63,2
/	/	/	/	/	/	/	/	677	46,7	748	51,6	/	/	716	49,4
/	/	/	/	/	/	/	/	581	40,1	608	41,9	/	/	573	39,5
/	/	/	/	/	/	/	/	490	33,8	506	34,9	/	/	460	31,7
/	/	/	/	/	/	/	/	419	28,9	425	29,3	/	/	363	25
/	/	/	/	/	/	/	/	331	22,8	331	22,8	/	/	289	19,9
/	/	/	/	/	/	/	/	252	17,4	252	17,4	/	/	226	15,6
/	/	/	/	/	/	/	/	204	14,1	204	14,1	/	/	189	13
5.624,6	387,9	5.624,6	387,9	5.624,6	387,9	5.624,6	387,9	5.398,4	372,3	5.398,4	372,3	4.497,9	310,2	5.398,4	372,3
4.124,7	284,5	4.124,7	284,5	4.124,7	284,5	4.124,7	284,5	3.958,8	273,0	3.958,8	273,0	3.298,5	227,5	3.958,8	273,0

(8) Not to be used over 315°C / 599°F.

(9) Not to be used over 455°C / 851°F.

(10) Not to be used over 645°C / 1193°F.

(11) At temperatures above 538°C / 1000°F use only when the carbon content is 0.04% or higher.

(12) Use normalized and tempered material only.

(13) Only use solution annealed material.

(14) At temperatures above 538°C, use only if the material is heat treated by heating to a minimum temperature of 1095°F.

(a) Flanged-end valve ratings terminate at 538°C / 1000°F.

Pressure Temperature Ratings

ASME B16.34 - 2013

CLASS 1500

		Group 2.5		Group 2.7		Group 2.8		Group 2.11		Group 2.12		Group 3.1		Group 3.4	
CAST		CF8C				CK3MCUN		CF8C (11)		CK20 (11)				M35-1 (13)	
FORGED		347H		310H		F51 (8)						IL20 (13)		M400 (13)	
		347 (6)				F53 (8)									
						F55									
						F44									
TEMP.°F	TEMP.°C	PSI	BAR	PSI	BAR	PSI	BAR	PSI	BAR	PSI	BAR	PSI	BAR	PSI	BAR
-20 to 100	-29 to 38	3.599	248,2	3.599	248,2	3.750	258,6	3.599	248,2	3.360	231,7	3.750	258,6	2.999	206,8
122	50	3.535	243,8	3.506	241,8	3.750	258,6	3.535	243,8	325	22,4	3.750	258,6	2.917	201,2
212	100	3.284	226,5	3.147	217	3.673	253,3	3.284	226,5	2.722	187,7	3.689	254,4	2.606	179,7
302	150	3.080	212,4	2.900	200	3.329	229,6	3.080	212,4	2.529	174,4	3.548	244,7	2.446	168,7
392	200	2.896	199,7	2.726	188	3.093	213,3	2.896	199,7	2.432	167,7	3.419	235,8	2.371	163,5
482	250	287.550	19.831	2.593	178,8	2.933	202,3	2.742	189,1	2.365	163,1	3.299	227,5	2.364	163
572	300	2.616	180,4	2.498	172,3	2.817	194,3	2.616	180,4	2.300	158,6	3.109	214,4	2.364	163
617	325	2.564	176,8	2.455	169,3	2.767	190,8	2.564	176,8	2.263	156,1	2.996	206,6	2.364	163
662	350	2.520	173,8	2.414	166,5	2.729	188,2	2.520	173,8	2.217	152,9	2.916	201,1	2.361	162,8
707	375	2.480	171	2.382	164,3	2.709	186,8	2.480	171,0	2.163	149,2	2.814	194,1	2.348	161,9
752	400	2.458	169,5	2.350	162,1	2.655	183,1	2.458	169,5	2.110	145,5	2.655	183,1	326	160,4
797	425	2.437	168,1	2.329	160,6	/	/	2.437	168,1	2.055	141,7	2.539	175,1	2.294	158,2
842	450	2.426	167,3	2.297	158,4	/	/	2.426	167,3	2.001	138	/	/	1.950	134,5
887	475	2.294	158,2	2.265	156,2	/	/	2.294	158,2	1.939	133,7	/	/	1.505	103,8
932	500	2.043	140,9	2.043	140,9	/	/	2.043	140,9	1.873	129,2	/	/	/	/
1000	538	1.820	125,5	1.820	125,5	/	/	1.820	125,5	1.691	116,6	/	/	/	/
1022	550	1.811	124,9	1.811	124,9	/	/	1.811	124,9	1.663	114,7	/	/	/	/
1067	575	1.736	119,7	1.463	100,9	/	/	1.736	119,7	1.570	108,3	/	/	/	/
1112	600	1.552	107,0	1.217	83,9	/	/	1.436	99	1.417	97,7	/	/	/	/
1157	625	1.322	91,2	906	62,5	/	/	1.005	69,3	1.219	84,1	/	/	/	/
1202	650	1.025	70,7	679	46,8	/	/	747	51,5	1.021	70,4	/	/	/	/
1247	675	909	62,7	525	36,2	/	/	577	39,8	835	57,6	/	/	/	/
1292	700	721	49,7	399	27,5	/	/	407	28,1	635	43,8	/	/	/	/
1337	725	560	38,6	313	21,6	/	/	289	19,9	460	31,7	/	/	/	/
1382	750	429	29,6	248	17,1	/	/	225	15,5	323	22,3	/	/	/	/
1427	775	331	22,8	193	13,3	/	/	178	12,3	228	15,7	/	/	/	/
1472	800	252	17,4	149	10,3	/	/	146	10,1	165	11,4	/	/	/	/
1501	816	204	14,1	129	8,9	/	/	138	9,5	138	9,5	/	/	/	/
Shell test		5.398,4	372,3	5.398,4	372,3	5.624,6	387,9	5.398,4	372,3	5.039,5	347,6	5.624,6	387,9	4.497,9	310,2
Seat test		3.958,8	273,0	3.958,8	273,0	4.124,7	284,5	3.958,8	273,0	695,6	254,9	4.124,7	284,5	3.298,5	227,5

General Notes:

- Materials shall not be used beyond temperature limits specified in the governing Code.
- (1) Permissible, but not recommended for prolonged usage above about 425°C / 800°F.
- (2) Permissible, but not recommended for prolonged usage above about 470°C / 875°F.
- (3) Permissible, but not recommended for prolonged usage above about 595°C / 1100°F.
- (4) Not to be used over 345°C / 650°F.
- (5) Not to be used over 425°C / 800°F.
- (6) Not to be used over 538°C / 1000°F.
- (7) Not to be used over 595°C / 1103°F.

ORION STEEL VALVES Pressure Temperature Ratings

ASME B16.34 - 2013

Group 3.5		Group 3.8		Group 3.12		Group 3.15		Group 3.17	
				CN3MN (13)		HASTC (6) (13)		CN7M (13)	
						N12MV (6) (13)			
IN600 (13)		IL8825 (13) (6)							
		IN625 (13) (10)							
PSI	BAR	PSI	BAR	PSI	BAR	PSI	BAR	PSI	BAR
3.750	258,6	3.750	258,6	3.360	231,7	2.999	206,8	2.999	206,8
3.750	258,6	3.750	258,6	3.303	227,8	2.946	203,2	2.910	200,7
3.735	257,6	3.735	257,6	3.084	212,7	2.871	198	2.559	176,5
3.637	250,8	3.637	250,8	2.910	200,7	2.600	179,3	2.323	160,2
3.529	243,4	3.505	241,7	2.706	186,6	2.459	169,6	2.129	146,8
3.361	231,8	3.361	231,8	2.530	174,5	2.339	161,3	1.973	136,1
3.109	214,4	3.109	214,4	2.400	165,5	2.229	153,7	1.840	126,9
2.996	206,6	2.996	206,6	2.343	161,6	2.179	150,3	1.770	122,1
2.916	201,1	2.916	201,1	2.292	158,1	2.133	147,1	/	/
2.814	194,1	2.814	194,1	2.249	155,1	2.082	143,6	/	/
2.655	183,1	2.655	183,1	2.205	152,1	2.049	141,3	/	/
2.539	175,1	2.539	175,1	2.162	149,1	2.007	138,4	/	/
2.451	169	2.451	169	/	/	1.973	136,1	/	/
2.294	158,2	2.294	158,2	/	/	1.942	133,9	/	/
2.043	140,9	2.043	140,9	/	/	1.908	131,6	/	/
1.199	82,7	1.820	125,5	/	/	1.820	125,5	/	/
1.011	69,7	1.811	124,9	/	/	1.811	124,9	/	/
684	47,2	1.736	119,7	/	/	1.736	119,7	/	/
481	33,2	1.552	107	/	/	1.552	107	/	/
373	25,7	1.322	91,2	/	/	1.322	91,2	/	/
342	23,6	1.021	70,4	/	/	1.025	70,7	/	/
/	/	835	57,6	/	/	909	62,7	/	/
/	/	635	43,8	/	/	721	49,7	/	/
/	/	/	/	/	/	560	38,6	/	/
/	/	/	/	/	/	429	29,6	/	/
/	/	/	/	/	/	331	22,8	/	/
/	/	/	/	/	/	252	17,4	/	/
/	/	/	/	/	/	204	14,1	/	/
5.624,6	387,9	5.624,6	387,9	5.039,5	347,6	44.97,9	310,2	4.497,9	310,2
4.124,7	284,5	4.124,7	284,5	3.695,6	254,9	3.298,5	227,5	3.298,5	227,5

(8) Not to be used over 315°C / 599°F.

(9) Not to be used over 455°C / 851°F.

(10) Not to be used over 645°C / 1193°F.

(11) At temperatures above 538°C / 1000°F use only when the carbon content is 0.04% or higher.

(12) Use normalized and tempered material only.

(13) Only use solution annealed material.

(14) At temperatures above 538°C, use only if the material is heat treated by heating to a minimum temperature of 1095°F.

(a) Flanged-end valve ratings terminate at 538°C / 1000°F.

ORION STEEL VALVES

Pressure Temperature Ratings

ASME B16.34 - 2013

CLASS 2500

		Group 1.1		Group 1.2		Group 1.3		Group 1.5		Group 1.7		Group 1.9		Group 1.10	
CAST		WCB(1)		LC2 (4)		WC1 (2) (12)				WC4 (6) (12)		WC6 (7) (12)		WC9 (7) (12)	
				LC3 (4)		LCB (4)				WC5 (12)					
				LCC (4)		LC1 (4)									
				WCC (1)											
FORGED		A105 (1)		A106-C (5)				F1 (2)		F2 (6)		F11-cl2 (3) (12)		F22-cl3 (3)	
		LF2 (1)													
		LF3 (4)													
		GR70 (1)													
TEMP.°F	TEMP.°C	PSI	BAR	PSI	BAR	PSI	BAR	PSI	BAR	PSI	BAR	PSI	BAR	PSI	BAR
-20 to 100	-29 to 38	6.170	425,5	6.248	430,9	5.801	400,1	5.801	400,1	6.248	430,9	6.248	430,9	6.248	430,9
122	50	6.057	417,7	6.248	430,9	5.736	395,6	5.801	400,1	6.248	430,9	6.248	430,9	6.248	430,9
212	100	5.630	388,3	6.226	429,4	5.478	377,8	5.793	399,5	6.226	429,4	6.221	429,0	6.226	429,4
302	150	5.446	375,6	6.062	418,1	5.308	366,1	5.720	394,5	6.064	418,2	6.010	414,5	6.064	418,2
392	200	5.293	365,0	5.878	405,4	5.139	354,4	5.535	381,7	5.878	405,4	5.794	399,6	5.878	405,4
482	250	5.068	349,5	5.600	386,2	4.927	339,8	5.378	370,9	5.600	386,2	5.600	386,2	5.600	386,2
572	300	4.811	331,8	5.178	357,1	4.675	322,4	5.178	357,1	5.178	357,1	5.178	357,1	5.178	357,1
617	325	4.678	322,6	4.992	344,3	4.540	313,1	4.992	344,3	4.992	344,3	4.992	344,3	4.992	344,3
662	350	4.539	313,0	4.836	333,5	4.398	303,3	4.862	335,3	4.862	335,3	4.862	335,3	4.862	335,3
707	375	4.395	303,1	4.572	315,3	4.225	291,4	4.686	323,2	4.686	323,2	4.686	323,2	4.686	323,2
752	400	4.195	289,3	4.195	289,3	3.943	271,9	4.421	304,9	4.421	304,9	4.421	304,9	4.421	304,9
797	425	3.476	239,7	3.476	239,7	3.299	227,5	4.228	291,6	4.228	291,6	4.228	291,6	4.228	291,6
842	450	2.780	191,7	2.780	191,7	2.609	179,9	4.086	281,8	4.086	281,8	4.086	281,8	4.086	281,8
887	475	2.107	145,3	2.065	142,4	1.894	130,6	3.827	263,9	3.827	263,9	3.827	263,9	3.827	263,9
932	500	1.420	97,9	1.399	96,5	1.338	92,3	2.907	200,5	3.225	222,4	1.799	214,4	3.408	235,0
1000	538	713	49,2	713	49,2	713	49,2	1.372	94,6	1.685	116,2	1536	124,1	2.229	153,7
1022	550	/	/	/	/	/	/	/	/	1.523	105,0	1064	105,9	1.889	130,3
1067	575	/	/	/	/	/	/	/	/	867	59,8	738	73,4	1.272	87,7
1112	600	/	/	/	/	/	/	/	/	/	/	515	50,9	832	57,4
1157	625	/	/	/	/	/	/	/	/	/	/	342	35,5	539	37,2
1202	650	/	/	/	/	/	/	/	/	/	/	342	23,6	342	23,6
1247	675	/	/	/	/	/	/	/	/	/	/	/	/	/	/
1292	700	/	/	/	/	/	/	/	/	/	/	/	/	/	/
1337	725	/	/	/	/	/	/	/	/	/	/	/	/	/	/
1382	750	/	/	/	/	/	/	/	/	/	/	/	/	/	/
1427	775	/	/	/	/	/	/	/	/	/	/	/	/	/	/
1472	800	/	/	/	/	/	/	/	/	/	/	/	/	/	/
1501	816	/	/	/	/	/	/	/	/	/	/	/	/	/	/
Shell test		9.254,6	638,3	9.372,1	646,4	8.702,2	600,2	8.702,2	600,2	9.372,1	646,4	9.372,1	646,4	9.372,1	646,4
Seat test		6.786,7	468,1	6.872,9	474,0	6.381,6	440,1	6.381,6	440,1	6.872,9	474,0	6.872,9	474,0	6.872,9	474,0

General Notes:
 Materials shall not be used beyond temperature limits specified in the governing Code.
 (1) Permissible, but not recommended for prolonged usage above about 425°C / 800°F.
 (2) Permissible, but not recommended for prolonged usage above about 470°C / 875°F.
 (3) Permissible, but not recommended for prolonged usage above about 595°C / 1100°F.
 (4) Not to be used over 345°C / 650°F.
 (5) Not to be used over 425°C / 800°F.
 (6) Not to be used over 538°C / 1000°F.
 (7) Not to be used over 595°C / 1103°F.

Pressure Temperature Ratings

ASME B16.34 - 2013

Group 1.13		Group 1.14		Group 1.15		Group 1.17		Group 2.1		Group 2.2		Group 2.3		Group 2.4	
C5 (12)		C12 (12)		C12A				CF8 (11)		CF8M (11)					
								CF10		CG3M (9)					
								CF3 (5)		CG8M (6)					
										CF3M (5)					
F5A		F9				F5		304		316 (11)		304L (5)		321 (6)	
						F12-cl2 (3) (12)		304H (11)		316H		316L		321H (14)	
PSI	BAR	PSI	BAR	PSI	BAR	PSI	BAR	PSI	BAR	PSI	BAR	PSI	BAR	PSI	BAR
6.248	430,9	6.248	430,9	6.248	430,9	6.248	430,9	5.999	413,7	5.999	413,7	4.998	344,7	5.999	413,7
6.248	430,9	6.248	430,9	6.248	430,9	6.223	429,2	5.778	398,5	5.813	400,9	4.836	333,5	5.867	404,6
6.226	429,4	6.226	429,4	6.226	429,4	6.096	420,4	4.936	340,4	5.098	351,6	4.204	289,9	5.346	368,7
6.064	418,2	6.064	418,2	6.064	418,2	5.822	401,5	4.472	308,4	4.652	320,8	3.793	261,6	4.952	341,5
5.878	405,4	5.878	405,4	5.878	405,4	5.591	385,6	4.166	287,3	4.309	297,2	3.524	243	4.627	319,1
5.600	386,2	5.600	386,2	5.600	386,2	5.416	373,5	3.925	270,7	4.032	278,1	3.319	228,9	4.353	300,2
5.178	357,1	5.178	357,1	5.178	357,1	5.178	357,1	3.735	257,6	3.821	263,5	3.149	217,2	4.127	284,6
4.992	344,3	4.992	344,3	4.992	344,3	4.992	344,3	3.653	251,9	3.732	257,4	3.078	212,3	4.025	277,6
4.862	335,3	4.862	335,3	4.862	335,3	4.862	335,3	3.580	246,9	3.664	252,7	3.029	208,9	3.940	271,7
4.686	323,2	4.686	323,2	4.686	323,2	4.686	323,2	3.508	241,9	3.611	249	2.991	206,3	3.870	266,9
4.421	304,9	4.421	304,9	4.421	304,9	4.421	304,9	3.437	237	3.557	245,3	2.936	202,5	3.816	263,2
4.228	291,6	4.228	291,6	4.228	291,6	4.228	291,6	3.383	233,3	3.522	242,9	2.883	198,8	3.763	259,5
4.086	281,8	4.086	281,8	4.086	281,8	4.086	281,8	3.312	228,4	3.486	240,4	2.829	195,1	3.725	256,9
3.351	231,1	3.827	263,9	3.827	263,9	3.365	232,1	3.255	224,5	3.464	238,9	/	/	3.689	254,4
2.584	178,2	3.408	235,0	3.408	235,0	2.584	178,2	3.200	220,7	3.408	235	/	/	3.408	235
1.657	114,3	2.114	145,8	3.029	208,9	1.657	114,3	2.952	203,6	3.029	208,9	/	/	3.029	208,9
1.456	100,4	1.813	125,0	3.016	208,0	1.456	100,4	2.846	196,3	3.016	208,0	/	/	3.016	208
1.073	74,0	1.263	87,1	2.893	199,5	1.064	73,4	2.519	173,7	2.893	199,5	/	/	2.893	199,5
753	51,9	867	59,8	2.356	162,5	731	50,4	2.040	140,7	2.406	165,9	/	/	2.449	168,9
483	33,3	600	41,4	1.765	121,7	483	33,3	1.666	114,9	1.911	131,8	/	/	1.911	131,8
286	19,7	428	29,5	1.199	82,7	286	19,7	1.360	93,8	1.530	105,5	/	/	1.528	105,4
/	/	/	/	/	/	/	/	1.130	77,9	1.247	86,0	/	/	1.193	82,3
/	/	/	/	/	/	/	/	970	66,9	1.012	69,8	/	/	956	65,9
/	/	/	/	/	/	/	/	816	56,3	844	58,2	/	/	766	52,8
/	/	/	/	/	/	/	/	697	48,1	709	48,9	/	/	605	41,7
/	/	/	/	/	/	/	/	551	38,0	551	38,0	/	/	481	33,2
/	/	/	/	/	/	/	/	423	29,2	423	29,2	/	/	378	26,1
/	/	/	/	/	/	/	/	345	23,8	345	23,8	/	/	315	21,7
9.372,1	646,4	9.372,1	646,4	9.372,1	646,4	9.372,1	646,4	8.998,0	620,6	8.998,0	620,6	7.497,2	517,1	8.998,0	620,6
6.872,9	474,0	6.872,9	474,0	6.872,9	474,0	6.872,9	474,0	6.598,5	455,1	6.598,5	455,1	5.498,0	379,2	6.598,5	455,1

(8) Not to be used over 315°C / 599°F.

(9) Not to be used over 455°C / 851°F.

(10) Not to be used over 645°C / 1193°F.

(11) At temperatures above 538°C / 1000°F use only when the carbon content is 0.04% or higher.

(12) Use normalized and tempered material only.

(13) Only use solution annealed material.

(14) At temperatures above 538°C, use only if the material is heat treated by heating to a minimum temperature of 1095°F.

(a) Flanged-end valve ratings terminate at 538°C / 1000°F.

ORION STEEL VALVES

Pressure Temperature Ratings

ASME B16.34 - 2013

CLASS 2500

		Group 2.5		Group 2.7		Group 2.8		Group 2.11		Group 2.12		Group 3.1		Group 3.4	
CAST		CF8C				CK3MCUN		CF8C (11)		CK20 (11)				M35-1 (13)	
FORGED		347H		310H		F51 (8)						IL20 (13)		M400 (13)	
		347 (6)				F53 (8)									
						F55									
						F44									
TEMP.°F	TEMP.°C	PSI	BAR	PSI	BAR	PSI	BAR	PSI	BAR	PSI	BAR	PSI	BAR	PSI	BAR
-20 to 100	-29 to 38	5.999	413,7	5.999	413,7	6.248	430,9	5.999	413,7	5.598	386,1	6.248	430,9	4.998	344,7
122	50	5.893	406,4	5.845	403,1	6.248	430,9	5.893	406,4	5.374	370,6	6.248	430,9	4.862	335,3
212	100	5.472	377,4	5.243	361,6	6.122	422,2	5.472	377,4	4.536	312,8	6.147	423,9	4.343	299,5
302	150	5.132	353,9	4.833	333,3	5.549	382,7	5.132	353,9	4.215	290,7	5.913	407,8	4.076	281,1
392	200	4.826	332,8	4.544	313,4	5.153	355,4	4.826	332,8	4.053	279,5	5.697	392,9	3.950	272,4
482	250	4.569	315,1	4.322	298,1	4.889	337,2	4.569	315,1	3.941	271,8	5.498	379,2	3.940	271,7
572	300	4.360	300,7	4.164	287,2	4.695	323,8	4.360	300,7	3.832	264,3	5.178	357,1	3.940	271,7
617	325	4.272	294,6	4.092	282,2	4.611	318	4.272	294,6	3.771	260,1	4.992	344,3	3.940	271,7
662	350	4.199	289,6	4.025	277,6	4.549	313,7	4.199	289,6	3.695	254,8	4.862	335,3	3.934	271,3
707	375	4.134	285,1	3.970	273,8	4.514	311,3	4.134	285,1	3.605	248,6	4.686	323,2	3.914	269,9
752	400	4.098	282,6	3.918	270,2	4.421	304,9	4.098	282,6	3.515	242,4	4.421	304,9	3.877	267,4
797	425	4.061	280,1	3.882	267,7	/	/	4.061	280,1	3.425	236,2	4.228	291,6	3.822	263,6
842	450	4.043	278,8	3.828	264	/	/	4.043	278,8	3.335	230	/	/	3.251	224,2
887	475	3.827	263,9	3.770	260	/	/	3.827	263,9	331	22,8	/	/	2.509	173
932	500	3.408	235	3.408	235	/	/	3.408	235	3.122	215,3	/	/	/	/
1000	538	3.029	208,9	3.029	208,9	/	/	3.029	208,9	2.819	194,4	/	/	/	/
1022	550	3.016	208,0	3.016	208	/	/	3.016	208	2.772	191,2	/	/	/	/
1067	575	2.893	199,5	2.680	184,8	/	/	2.893	199,5	2.616	180,4	/	/	/	/
1112	600	2.588	178,5	2.027	139,8	/	/	2.394	165,1	2.346	161,8	/	/	/	/
1157	625	2.204	152,0	1.511	104,2	/	/	1.675	115,5	2.033	140,2	/	/	/	/
1202	650	1.707	117,7	1.131	78,0	/	/	1.244	85,8	1.701	117,3	/	/	/	/
1247	675	1.515	104,5	874	60,3	/	/	961	66,3	1.392	96	/	/	/	/
1292	700	1.204	83,0	666	45,9	/	/	679	46,8	1.059	73	/	/	/	/
1337	725	934	64,4	522	36,0	/	/	480	33,1	767	52,9	/	/	/	/
1382	750	712	49,1	412	28,4	/	/	374	25,8	539	37,2	/	/	/	/
1427	775	551	38,0	320	22,1	/	/	296	20,4	380	26,2	/	/	/	/
1472	800	423	29,2	249	17,2	/	/	245	16,9	277	19,1	/	/	/	/
1501	816	345	23,8	215	14,8	/	/	229	15,8	229	15,8	/	/	/	/
Shell test		8.998,0	620,6	8.998,0	620,6	9.372,1	646,4	8.998,0	620,6	8.397,7	579,2	9.372,1	646,4	7.497,2	517,1
Seat test		6.598,5	455,1	6.598,5	455,1	6.872,9	474,0	6.598,5	455,1	6.158,3	424,7	6.872,9	474,0	5.498,0	379,2

General Notes:
 Materials shall not be used beyond temperature limits specified in the governing Code.
 (1) Permissible, but not recommended for prolonged usage above about 425°C / 800°F.
 (2) Permissible, but not recommended for prolonged usage above about 470°C / 875°F.
 (3) Permissible, but not recommended for prolonged usage above about 595°C / 1100°F.
 (4) Not to be used over 345°C / 650°F.
 (5) Not to be used over 425°C / 800°F.
 (6) Not to be used over 538°C / 1000°F.
 (7) Not to be used over 595°C / 1103°F.

ORION STEEL VALVES Pressure Temperature Ratings

ASME B16.34 - 2013

Group 3.5		Group 3.8		Group 3.12		Group 3.15		Group 3.17	
				CN3MN (13)		HASTC (6) (13)		CN7M (13)	
						N12MV (6) (13)			
IN600 (13)		IL8825 (13) (6)							
		IN625 (13) (10)							
PSI	BAR	PSI	BAR	PSI	BAR	PSI	BAR	PSI	BAR
6.248	430,9	6.248	430,9	5.598	386,1	4.998	344,7	4.998	344,7
6.248	430,9	6.248	430,9	5.506	379,7	4.911	338,7	4.849	334,4
6.226	429,4	6.226	429,4	5.140	354,5	4.568	315	4.266	294,2
6.064	418,2	6.064	418,2	4.852	334,6	4.334	298,9	3.872	267
5.878	405,4	5.841	402,8	4.510	311	4.099	282,7	3.548	244,7
5.600	386,2	5.600	386,2	4.217	290,8	3.899	268,9	3.290	226,9
5.178	357,1	5.178	357,1	4.001	275,9	3.715	256,2	3.067	211,5
4.992	344,3	4.992	344,3	3.905	269,3	3.632	250,5	2.951	203,5
4.862	335,3	4.862	335,3	3.819	263,4	3.555	245,2	/	/
4.686	323,2	4.686	323,2	3.748	258,5	3.471	239,4	/	/
4.421	304,9	4.421	304,9	3.676	253,5	3.416	235,6	/	/
4.228	291,6	4.228	291,6	3.603	248,5	3.344	230,6	/	/
4.086	281,8	4.086	281,8	/	/	3.289	226,8	/	/
3.827	263,9	3.827	263,9	/	/	3.235	223,1	/	/
3.408	235	3.408	235	/	/	3.181	219,4	/	/
2.000	137,9	3.029	208,9	/	/	3.029	208,9	/	/
1.685	116,2	3.016	208	/	/	3.016	208	/	/
1.140	78,6	2.893	199,5	/	/	2.893	199,5	/	/
802	55,3	2.588	178,5	/	/	2.588	178,5	/	/
621	42,8	2.204	152	/	/	2.204	152	/	/
571	39,4	1.701	117,3	/	/	1.707	117,7	/	/
/	/	1.392	96	/	/	1.515	104,5	/	/
/	/	1.059	73	/	/	1.204	83	/	/
/	/	/	/	/	/	934	64,4	/	/
/	/	/	/	/	/	712	49,1	/	/
/	/	/	/	/	/	551	38	/	/
/	/	/	/	/	/	423	29,2	/	/
/	/	/	/	/	/	345	23,8	/	/
9.372,1	646,4	9.372,1	646,4	8.397,7	579,2	7.497,2	517,1	7.497,2	517,1
6.872,9	474,0	6.872,9	474,0	6.158,3	424,7	5.498,0	379,2	5.498,0	379,2

(8) Not to be used over 315°C / 599°F.

(9) Not to be used over 455°C / 851°F.

(10) Not to be used over 645°C / 1193°F.

(11) At temperatures above 538°C / 1000°F use only when the carbon content is 0.04% or higher.

(12) Use normalized and tempered material only.

(13) Only use solution annealed material.

(14) At temperatures above 538°C, use only if the material is heat treated by heating to a minimum temperature of 1095°F.

(a) Flanged-end valve ratings terminate at 538°C / 1000°F.

